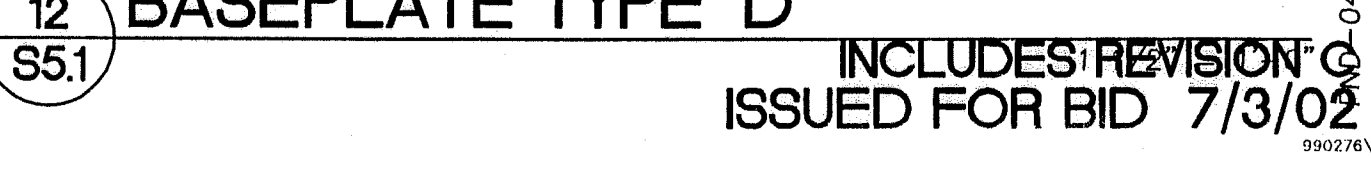
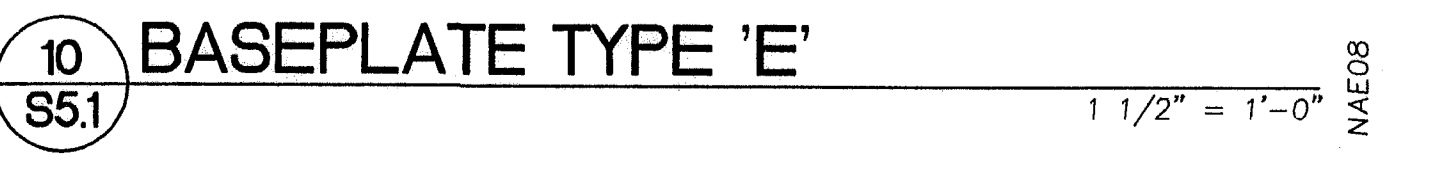
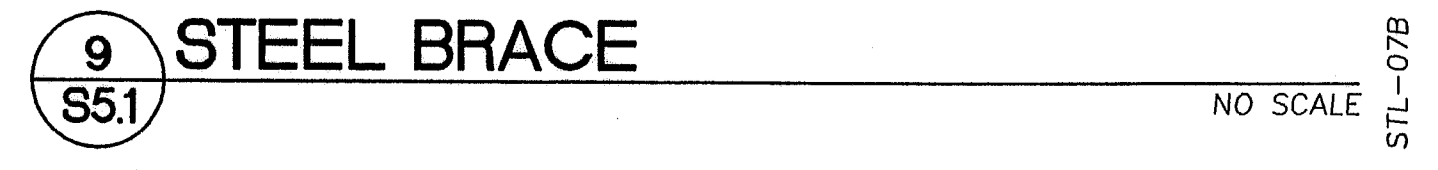
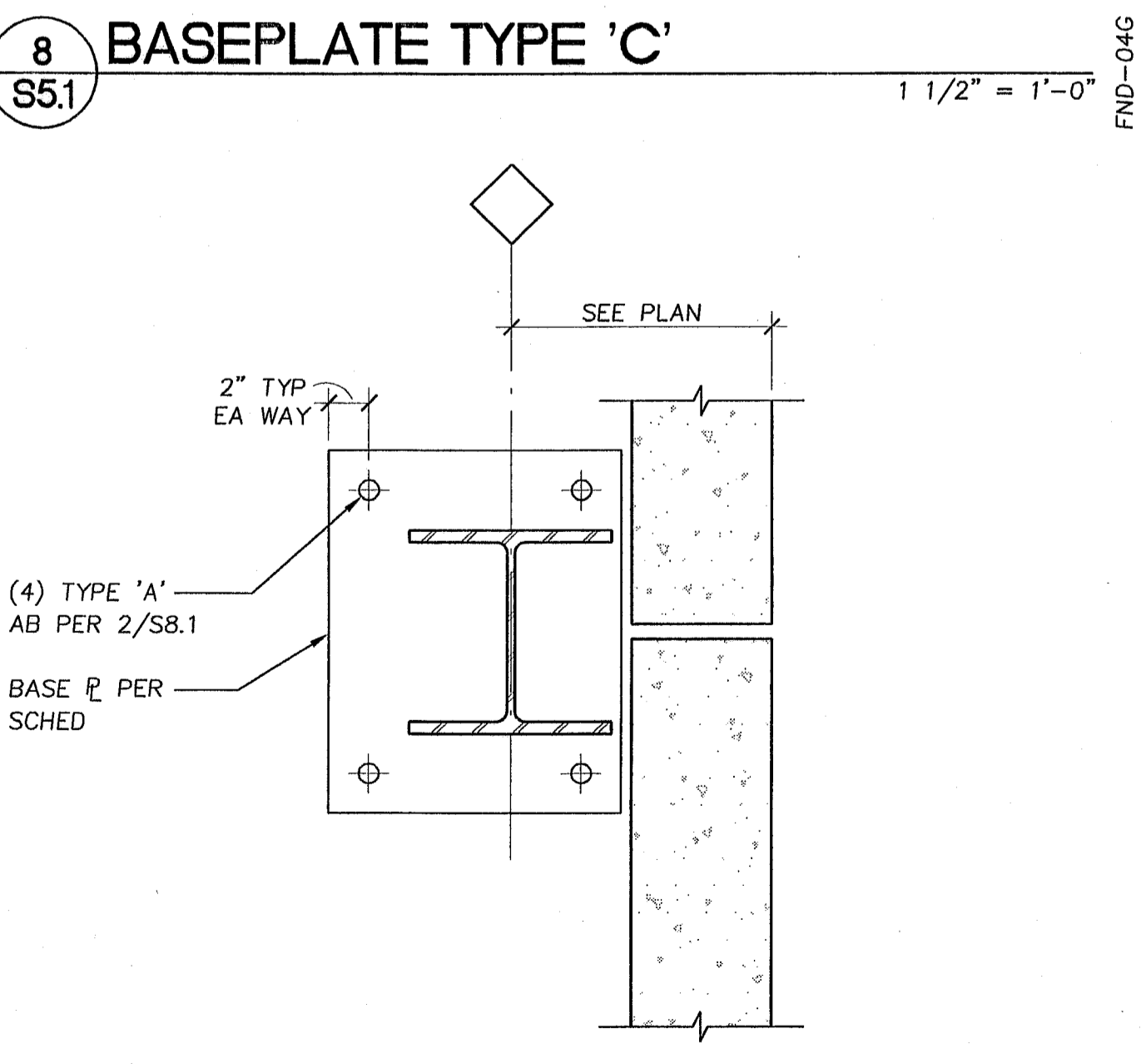
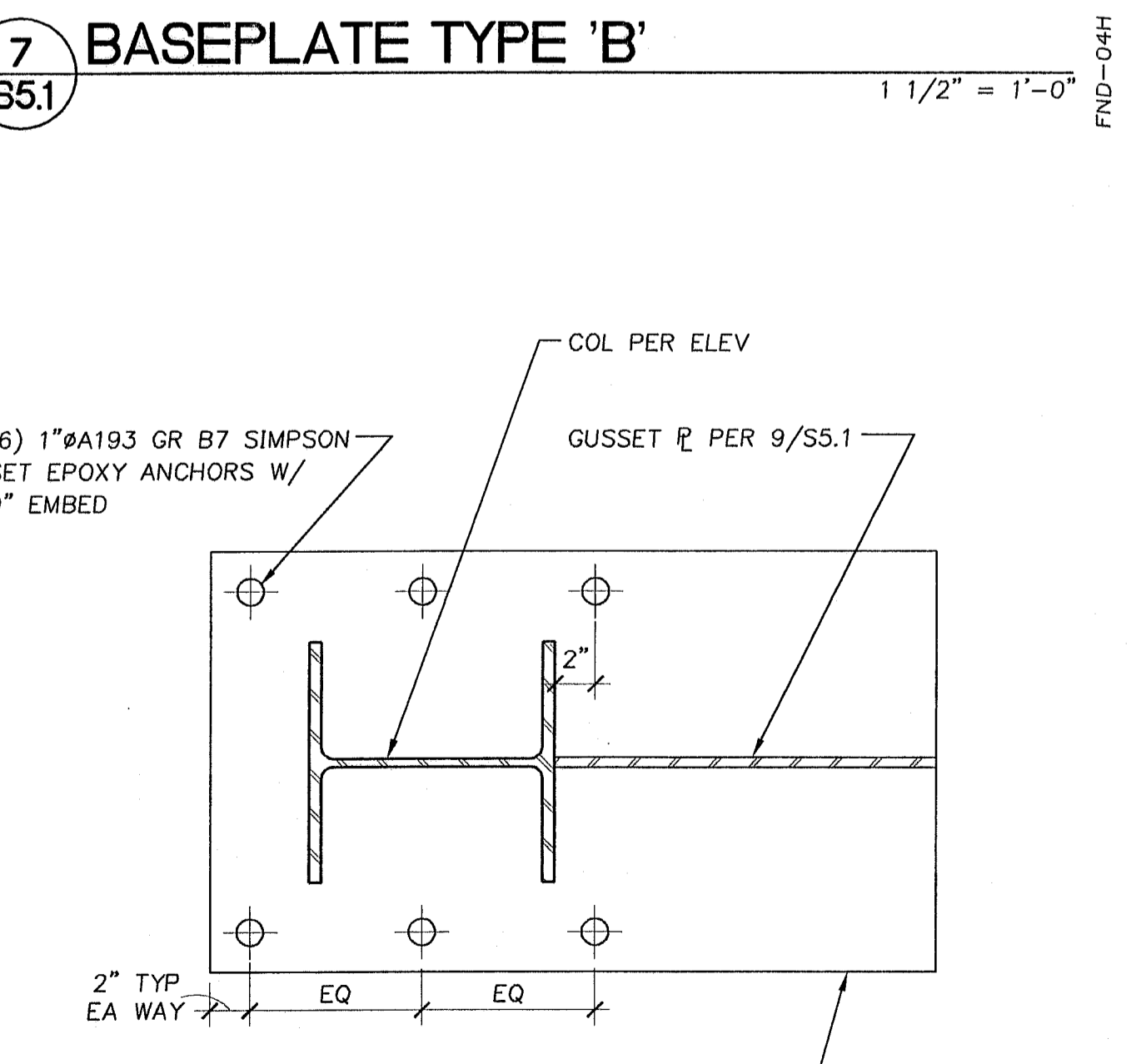
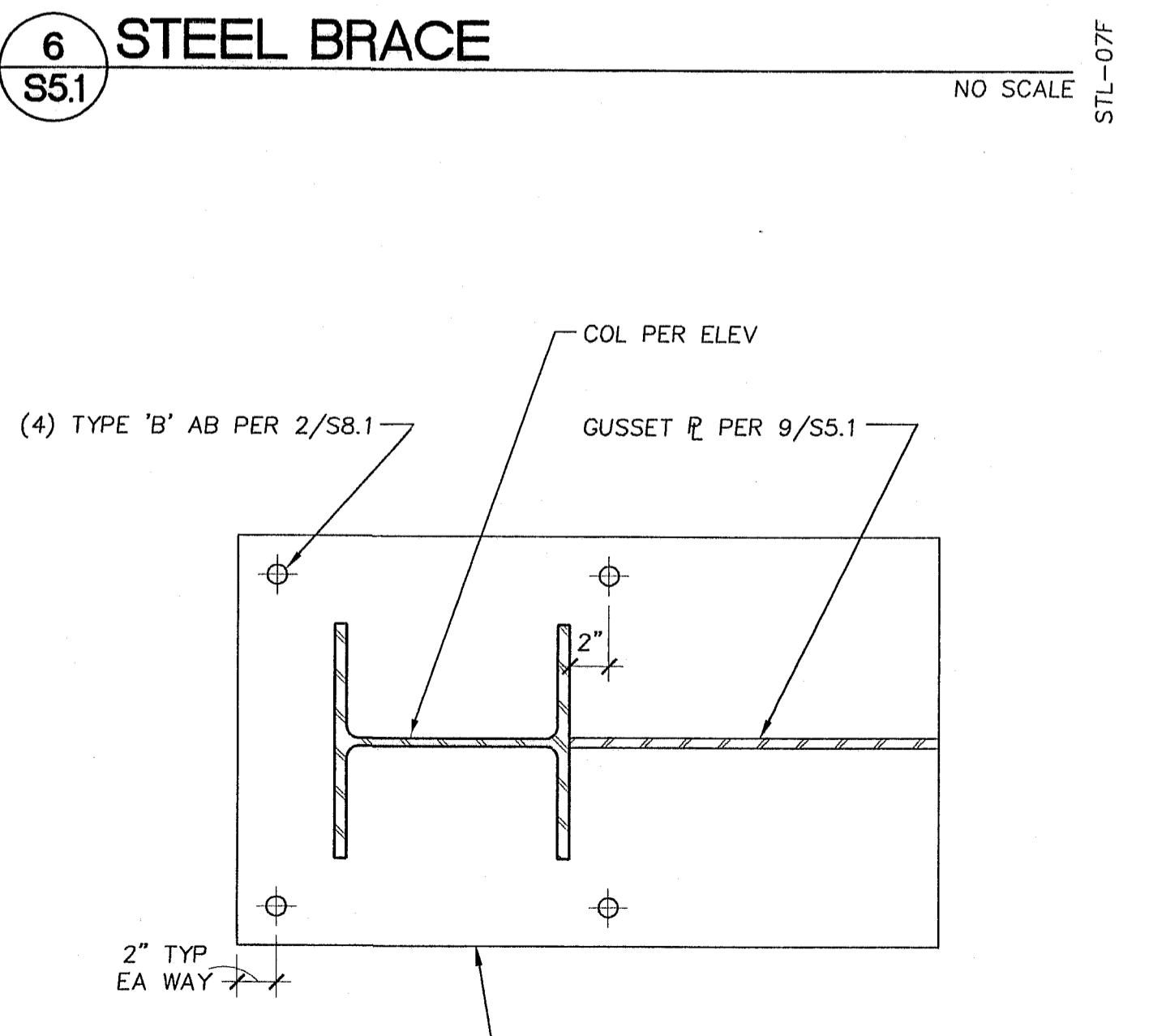
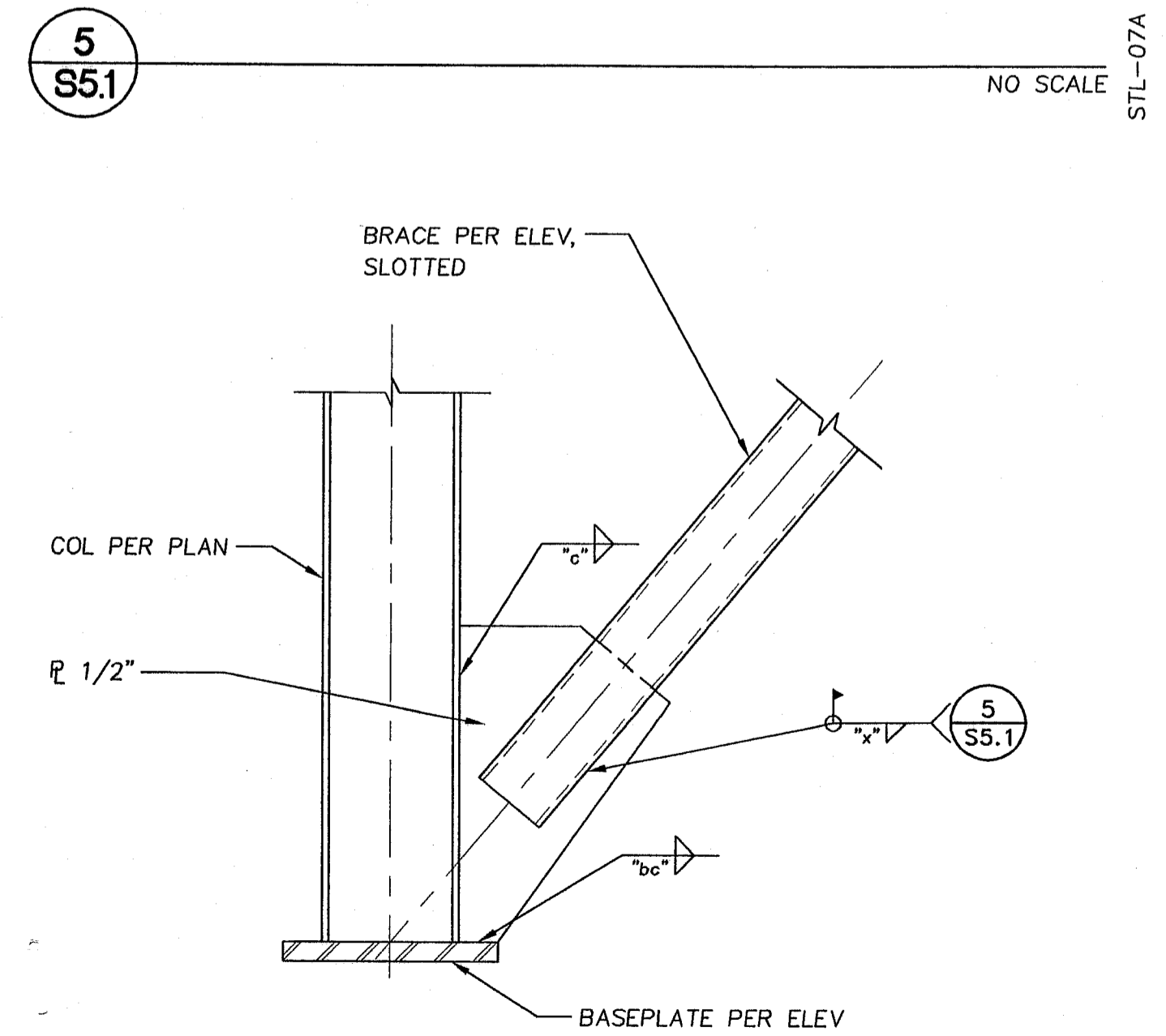
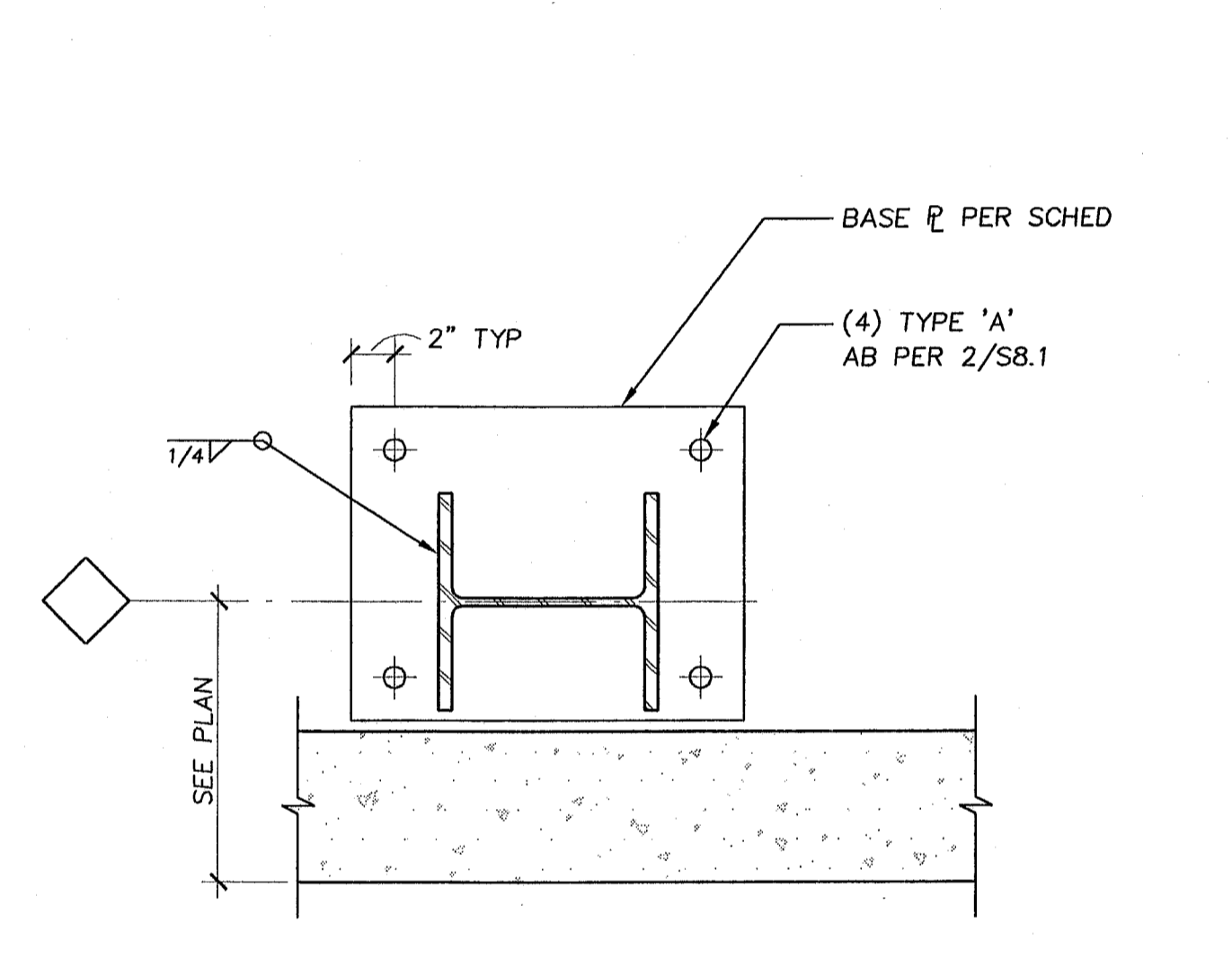
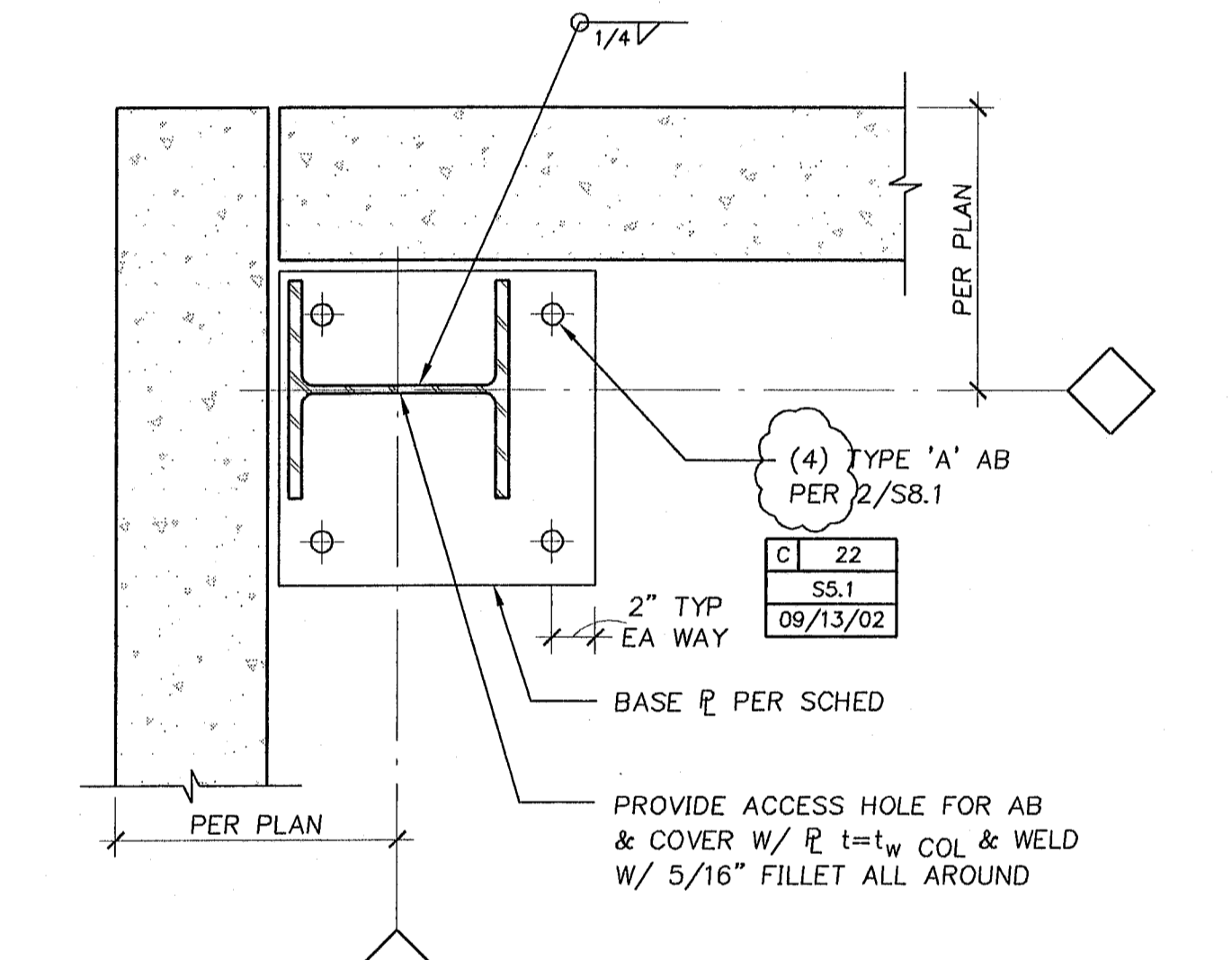
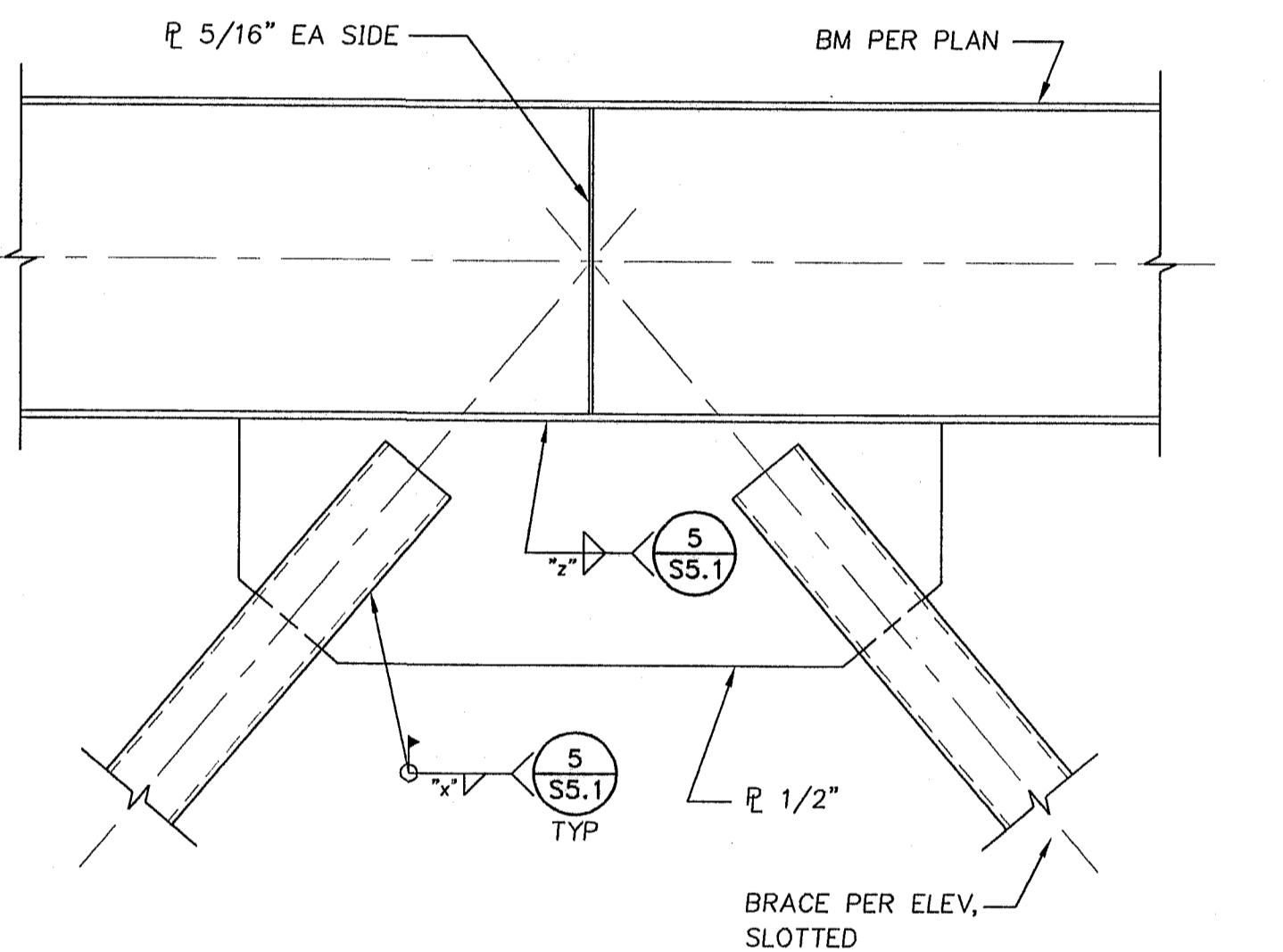


	C1	C2	C3	C4
ROOF	W12x65	W10x49	W10x45	W10x39
1ST FLOOR				
BASE PLATE TYPE				
A	1 1/2x20x20	1x18x18	1x18x18	1x18x18
B	1 1/2x17x17	1x15x15	1x15x15	1x15x15
C, D	1 1/2x17x20	1x15x18	1x15x18	1x15x18

Scale: 1/8" = 1'-0" Reference: 276COLS

BRACE WELDING SCHEDULE

BRACE SIZE	PL TO BEAM "b"	PL TO COLUMN "c"	BRACE TO PL (4) SIDES "x"	PL TO BASE PL "bc"	PL TO BEAM AT TOP "z"
TS 8x8	-	3/8x12	3/8x8	3/8x12	3/8x40
TS 10x10	3/8x20"	3/8x12	3/8x10	3/8x12	3/8x40



GROUP MACKENZIE
 Architecture
 Interior Design
 Land Use Planning
 Civil Engineering
 Structural Engineering
 Transportation Planning
 0690 SW Bancroft St / PO Box 69039
 Portland, OR 97201-0039
 Tel: 503.224.9500 / 360.695.7879
 Fax: 503.228.1285



Project
BROADBAND FACILITY EXPANSION PHASE 2 AND 3
 TROUTDALE, OREGON



© GROUP MACKENZIE 2002
 ALL RIGHTS RESERVED
 THESE DRAWINGS ARE THE PROPERTY OF GROUP MACKENZIE AND ARE NOT TO BE USED OR REPRODUCED IN ANY MANNER, WITHOUT PRIOR WRITTEN PERMISSION

REVISIONS:

REVISION	LAST REVISION THIS SHEET	REVISION EDITION	REVISION CLOSING DATE
A	NONE	07/30/2002	
B	NONE	08/12/2002	
C	22	09/13/2002	

SHEET TITLE:
COLUMN SCHEDULE AND DETAILS

FIRST ISSUED:
 LAST ISSUED:
 DRAWN BY:
 CHECKED BY:
 SHEET:

S5.1

JOB NO. **990276.01**