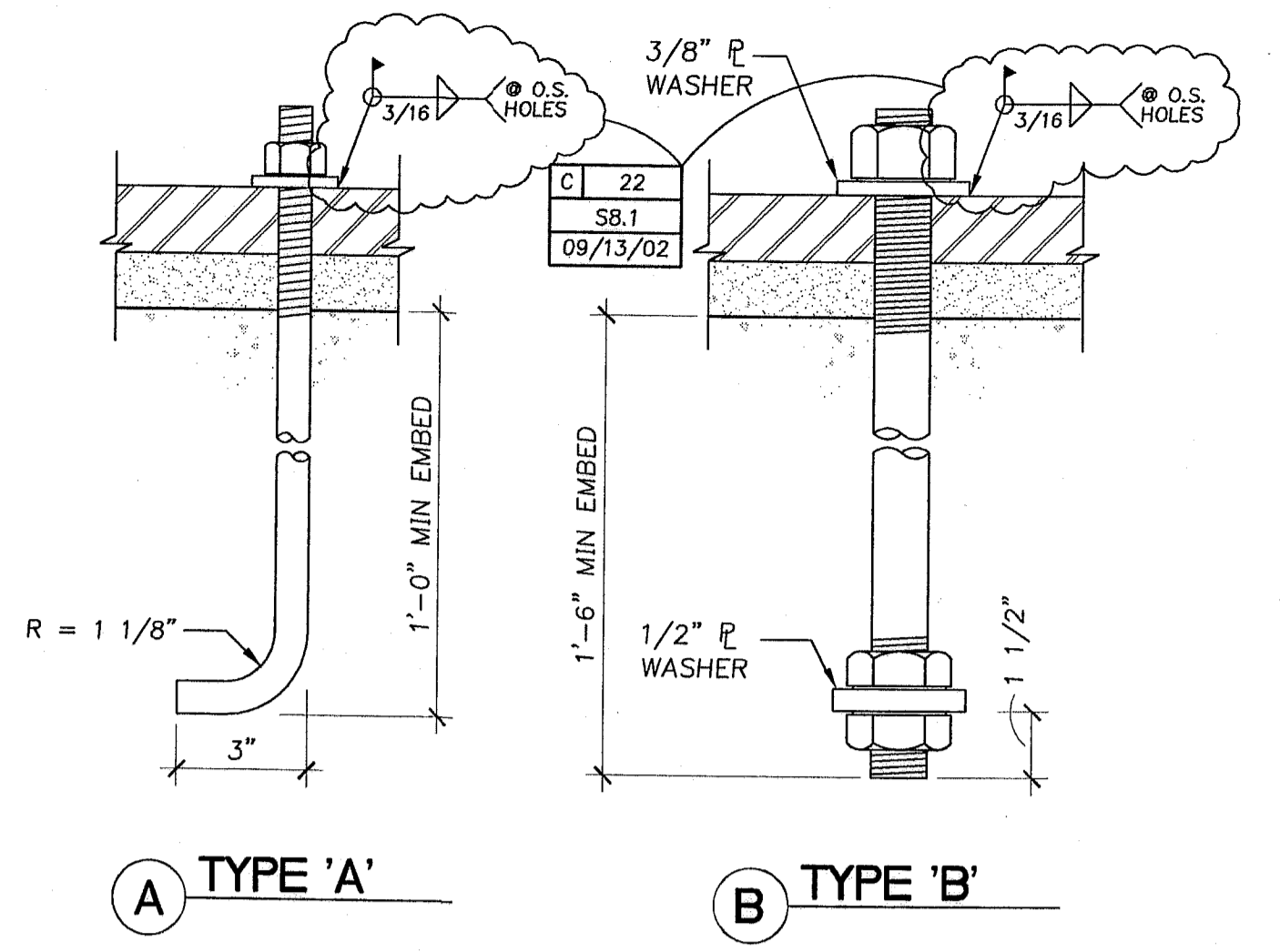
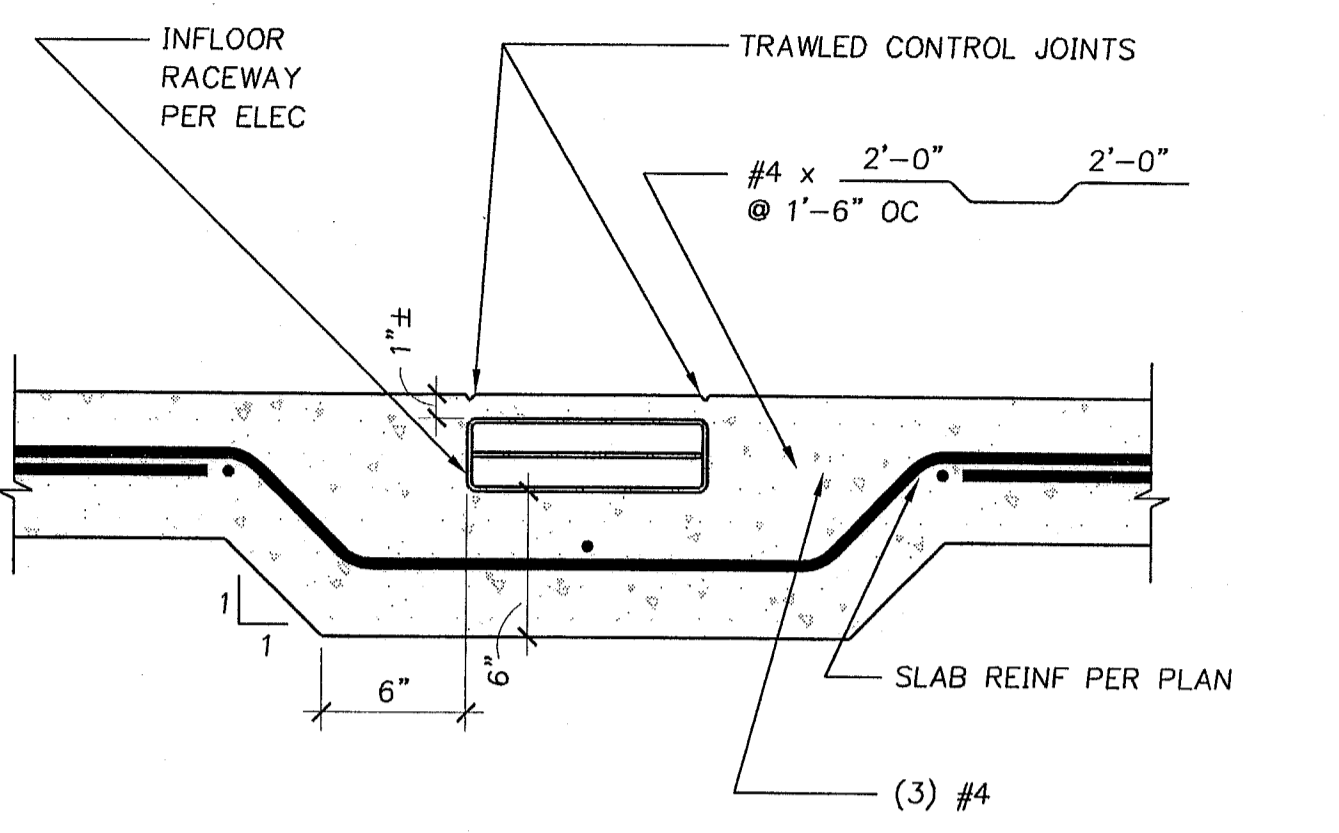


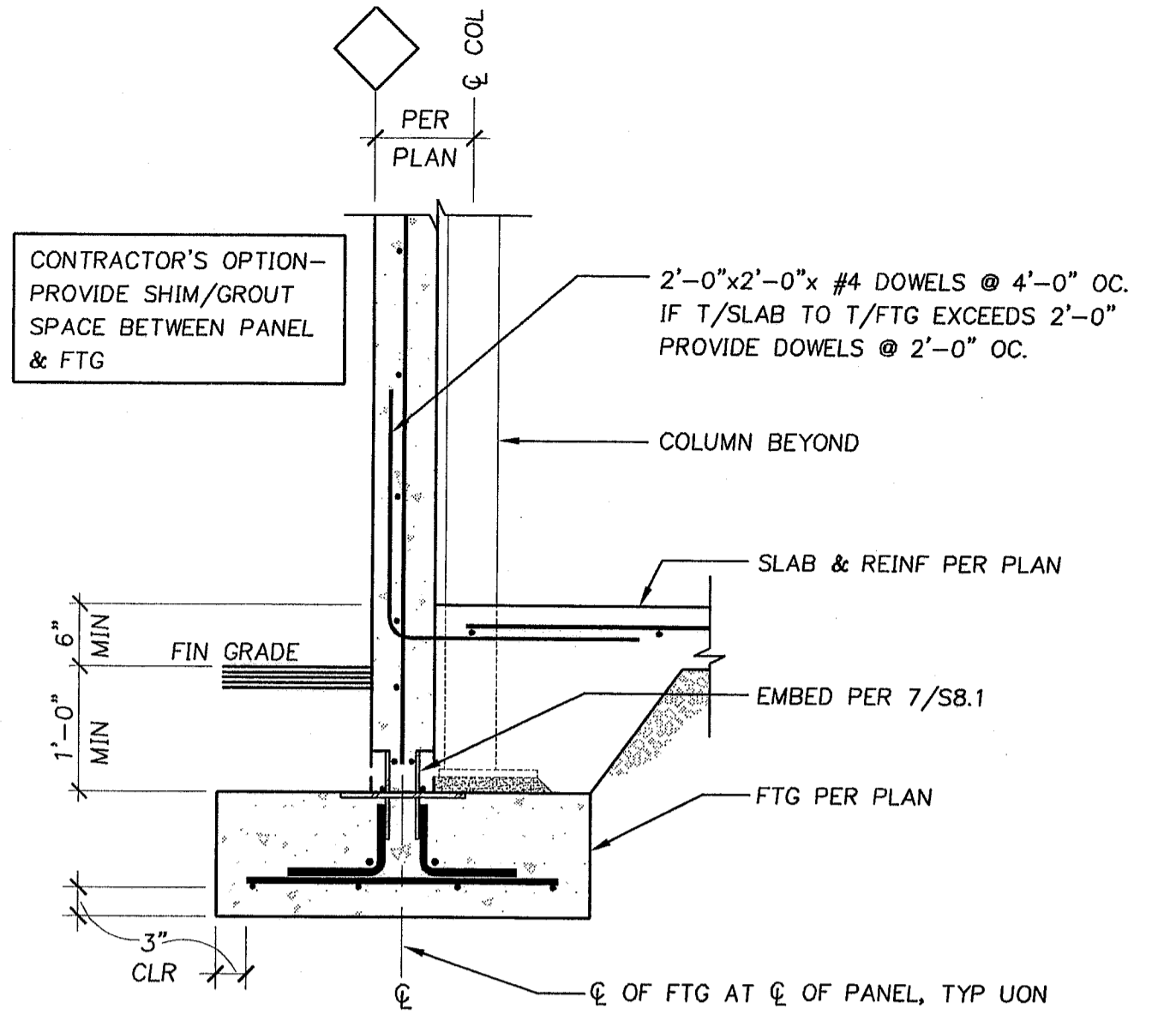
**1** **S8.1** **TURN DOWN SLAB EDGE** 3/4" = 1'-0" FND-01A



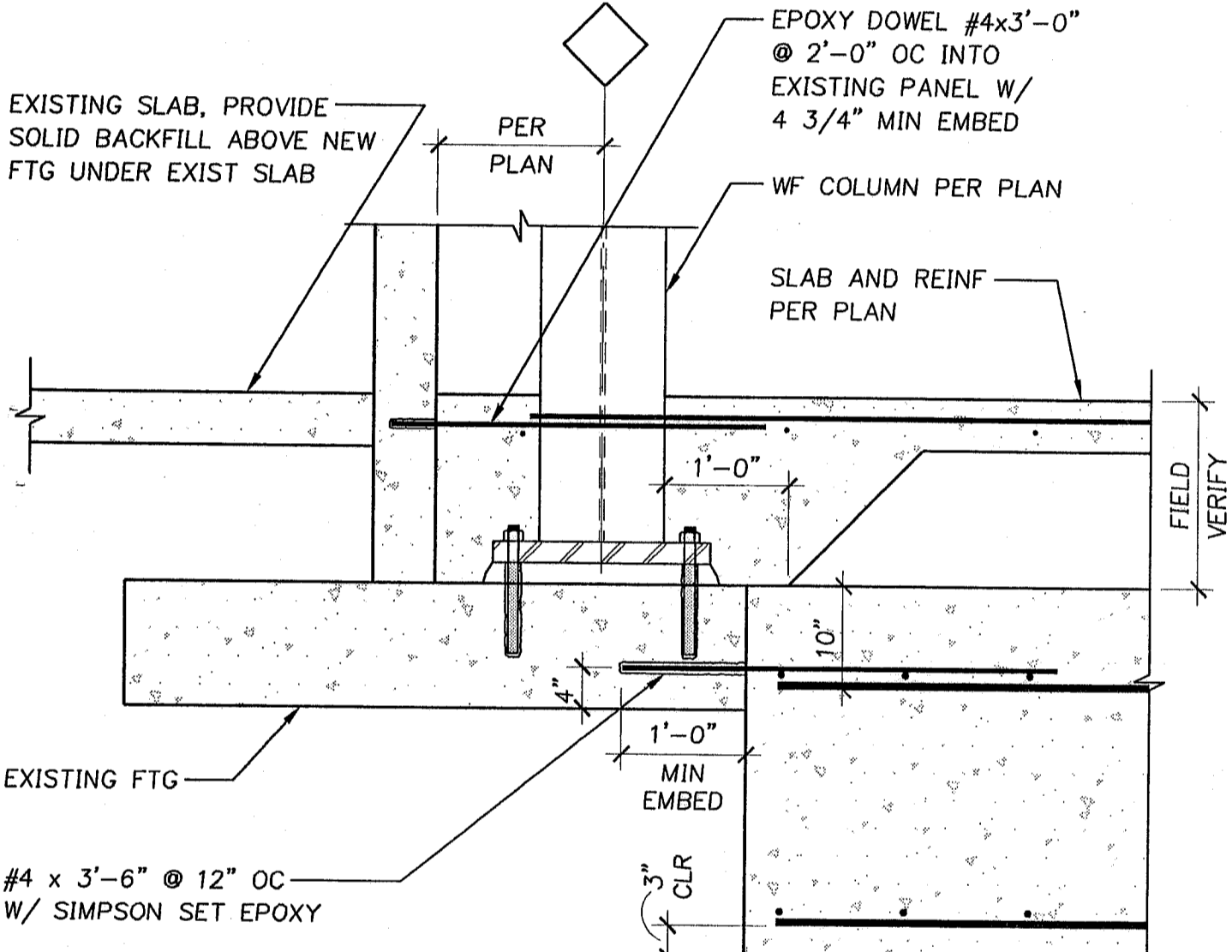
**2** **S8.1** **ANCHOR BOLTS** 3" = 1'-0" FND-13A



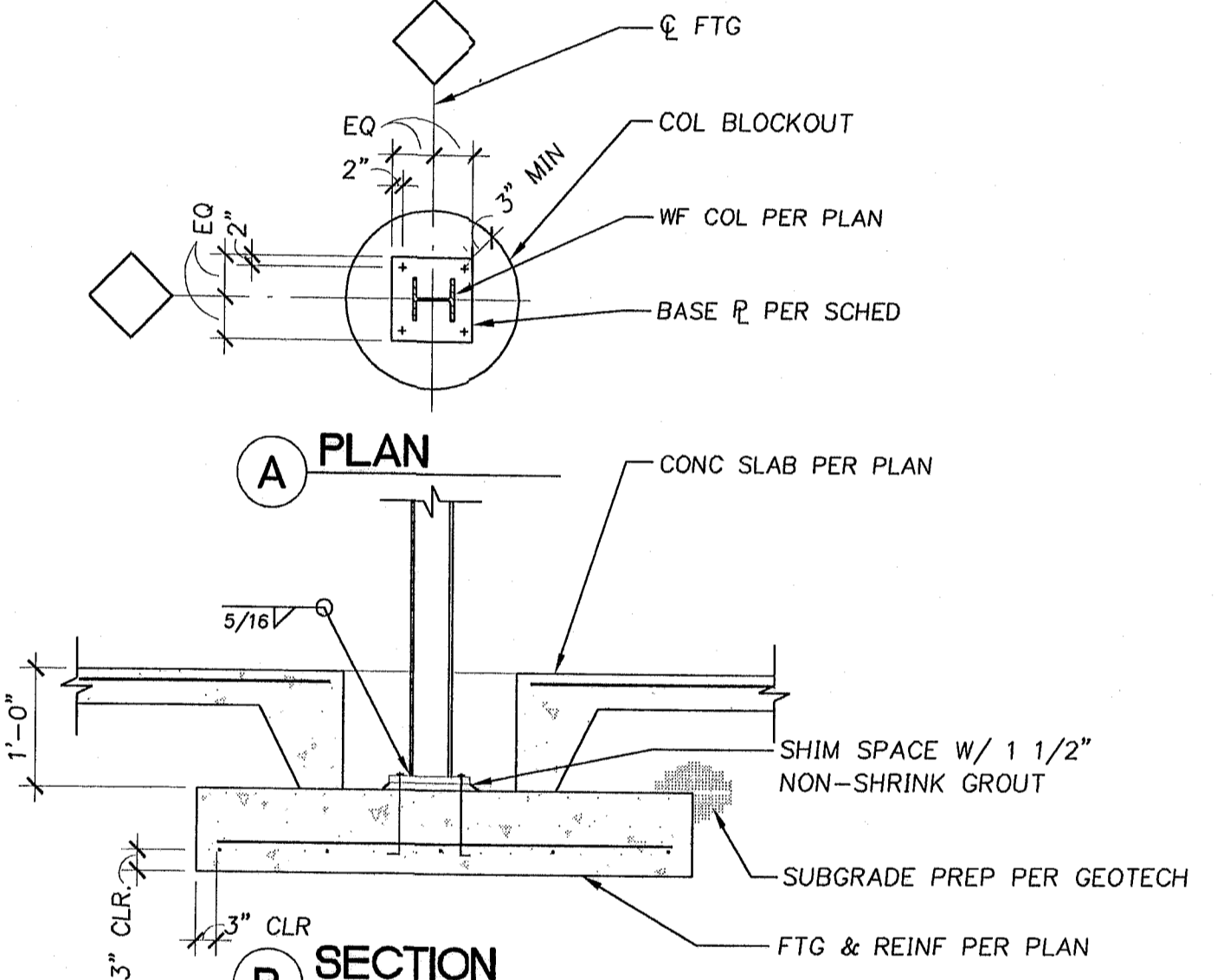
**3** **S8.1** 1 1/2" = 1'-0" NAE15



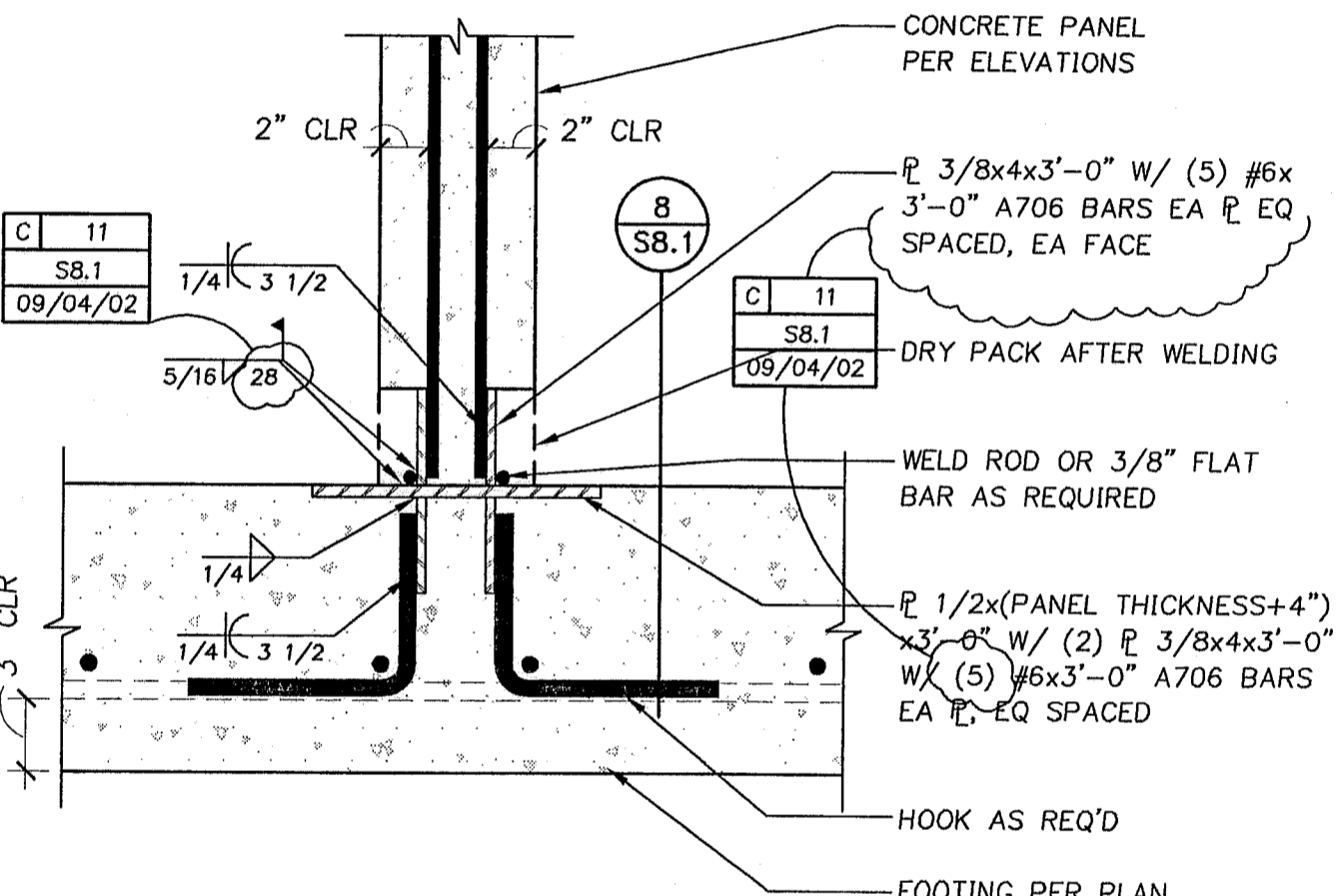
**4** **S8.1** **PANEL TO FOOTING** 3/4" = 1'-0" FND-03B



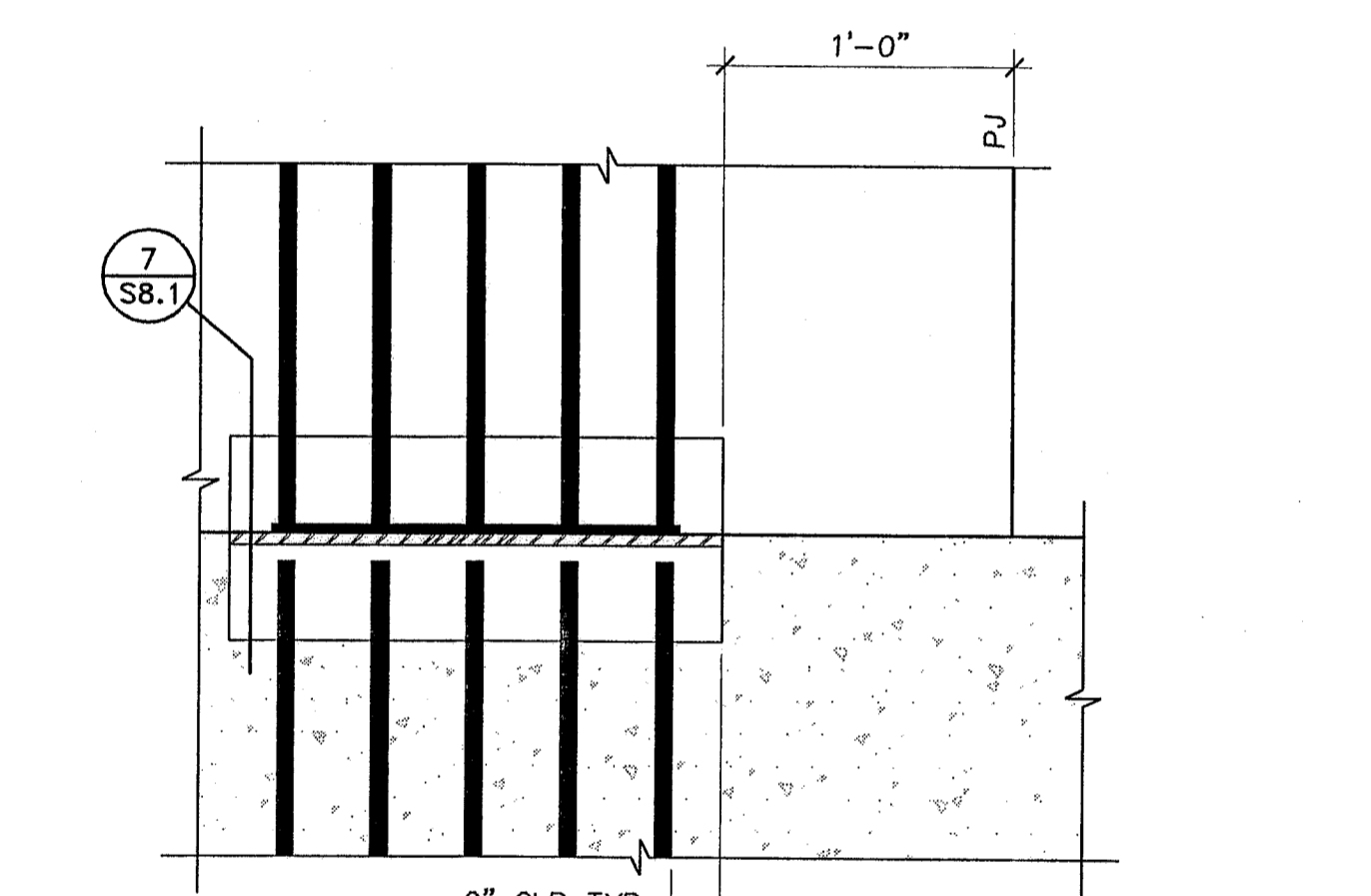
**5** **S8.1** **COLUMN AT EXISTING FOOTING** 3/4" = 1'-0" LEH02



**6** **S8.1** **COLUMN TO FOOTING** 1/2" = 1'-0" FND-04B

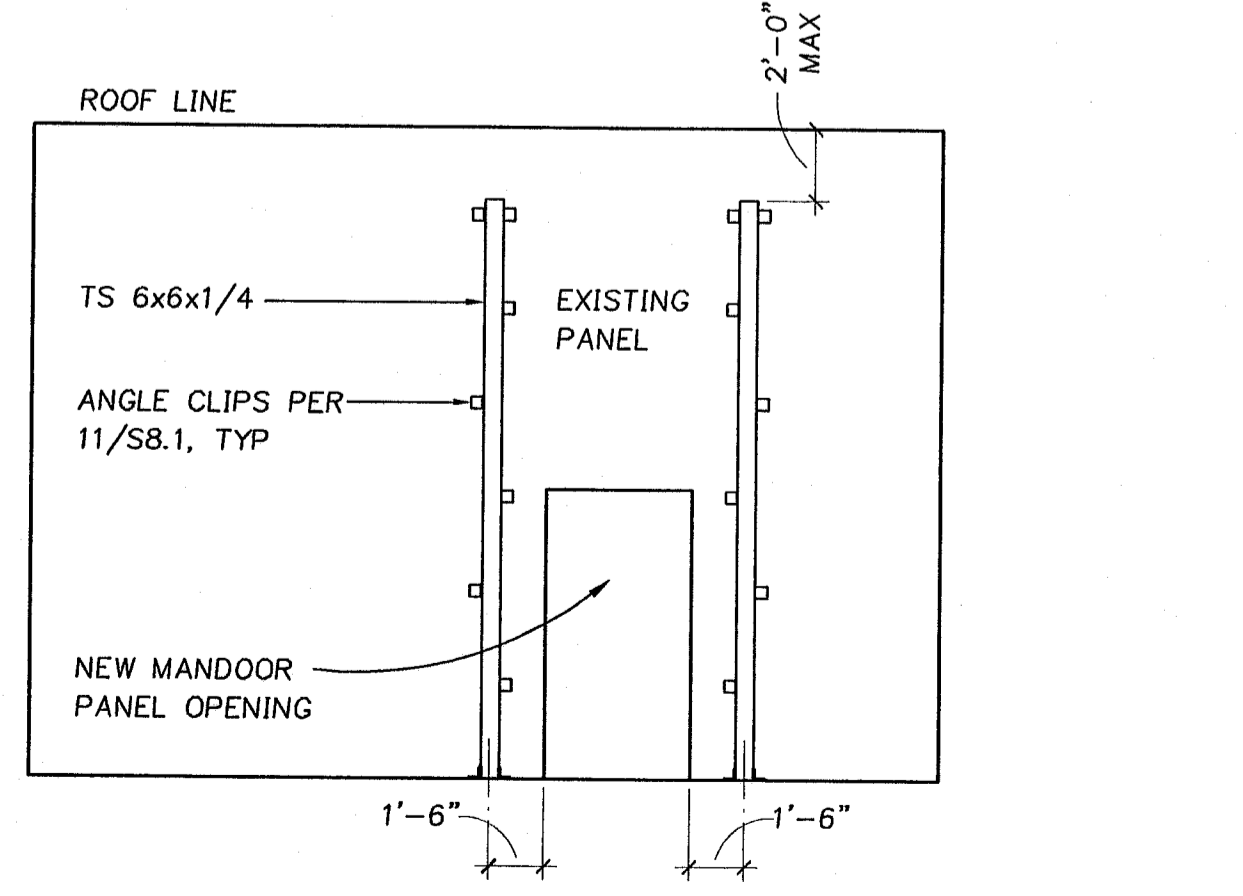


**7** **S8.1** **SHEAR CONNECTION AT FOOTING** 1 1/2" = 1'-0" FND-06AB

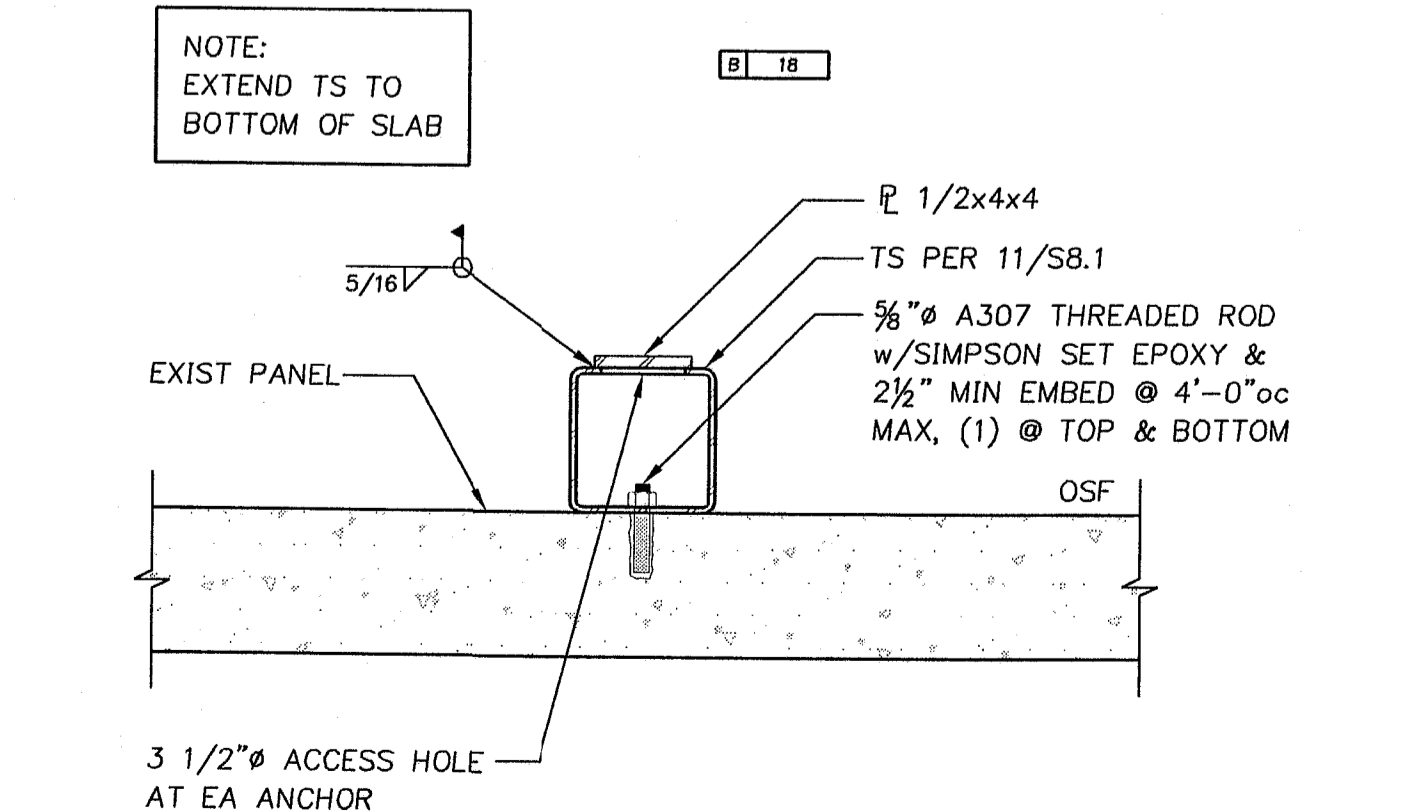


**8** **S8.1** **SHEAR CONNECTION AT FOOTING** 1 1/2" = 1'-0" FND-06CB

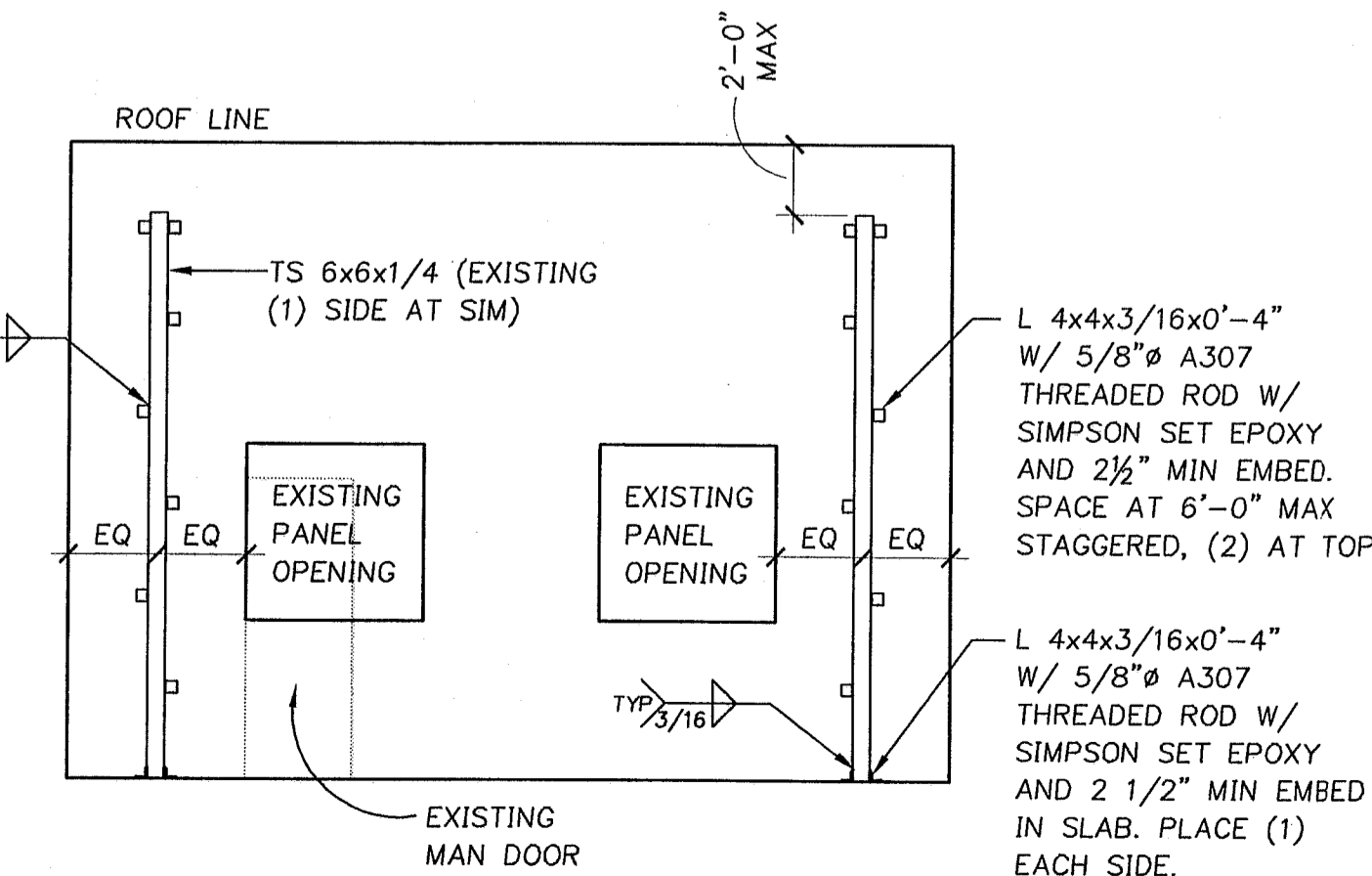
NOTES:  
1. IT IS ACCEPTABLE TO REMOVE SECTION OF PANEL BELOW NEW OPENING  
2. SEE 10/S8.1 FOR TS AT OSF OF BLDG



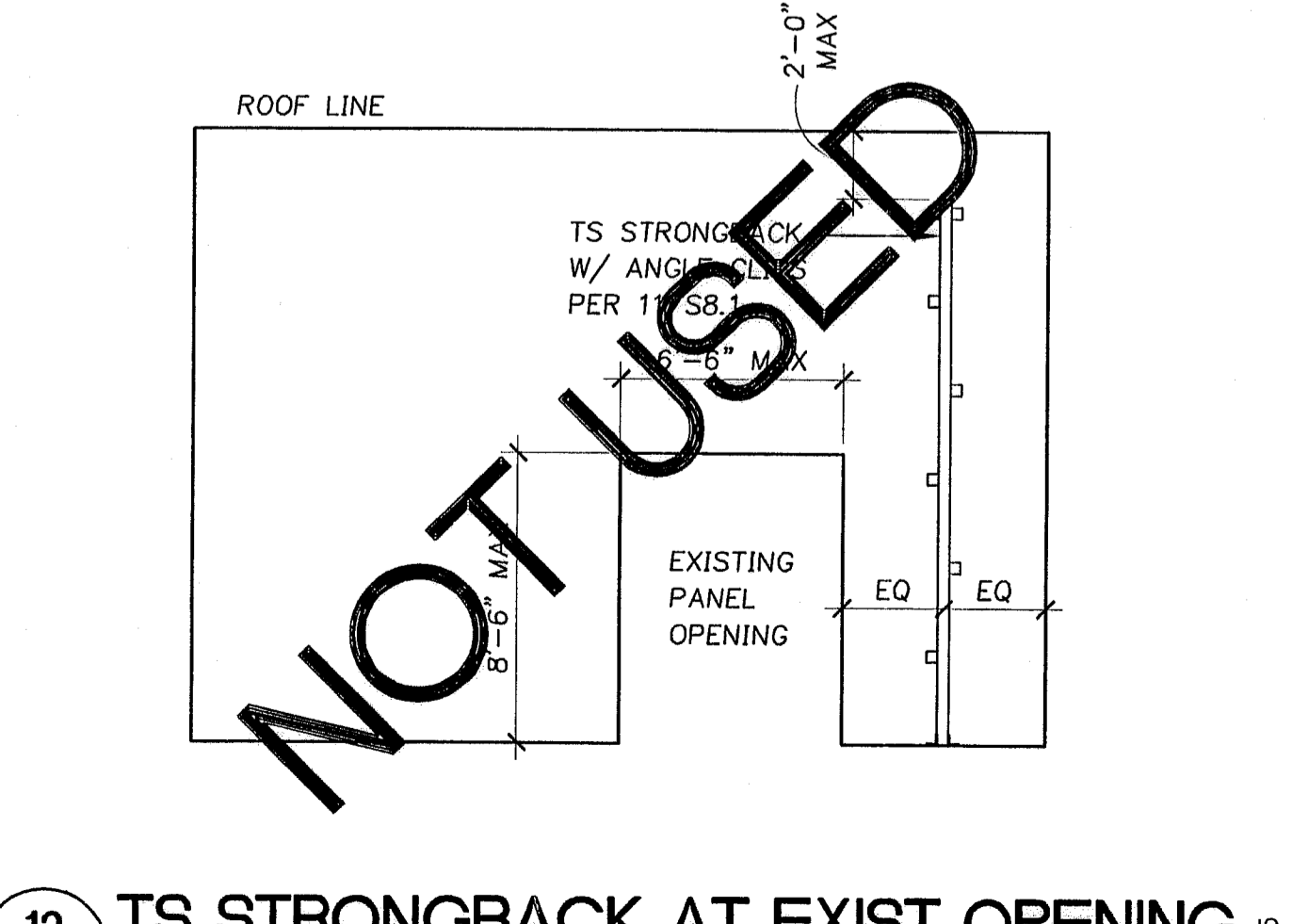
**9** **S8.1** **TS STRONGBACK AT NEW OPENING** NO SCALE LEH03



**10** **S8.1** 1 1/2" = 1'-0" NAE14



**11** **S8.1** **TS STRONGBACK AT EXIST OPENING** NO SCALE LEH06



**12** **S8.1** **TS STRONGBACK AT EXIST OPENING** NO SCALE LEH05

**GROUP MACKENZIE**  
Architecture  
Interior Design  
Land Use Planning  
Civil Engineering  
Structural Engineering  
Transportation Planning  
Client



Project  
**BROADBAND FACILITY EXPANSION PHASE 2 AND 3**

**TROUTDALE, OREGON**



© GROUP MACKENZIE 2002  
ALL RIGHTS RESERVED  
THESE DRAWINGS ARE THE PROPERTY OF GROUP MACKENZIE AND ARE NOT TO BE USED OR REPRODUCED IN ANY MANNER, WITHOUT PRIOR WRITTEN PERMISSION

REVISIONS:

REVISION	LAST REVISION THIS SHEET	REVISION CLOSING DATE	EDITION
A	1	07/30/2002	
B	18	08/12/2002	
C	22	09/13/2002	

SHEET TITLE:  
**DETAILS**

FIRST ISSUED:  
LAST ISSUED:  
DRAWN BY:  
CHECKED BY: JGM  
SHEET:

**S8.1**

JOB NO. **990276.01**

INCLUDES REVISION C  
ISSUED FOR BID 7/3/02