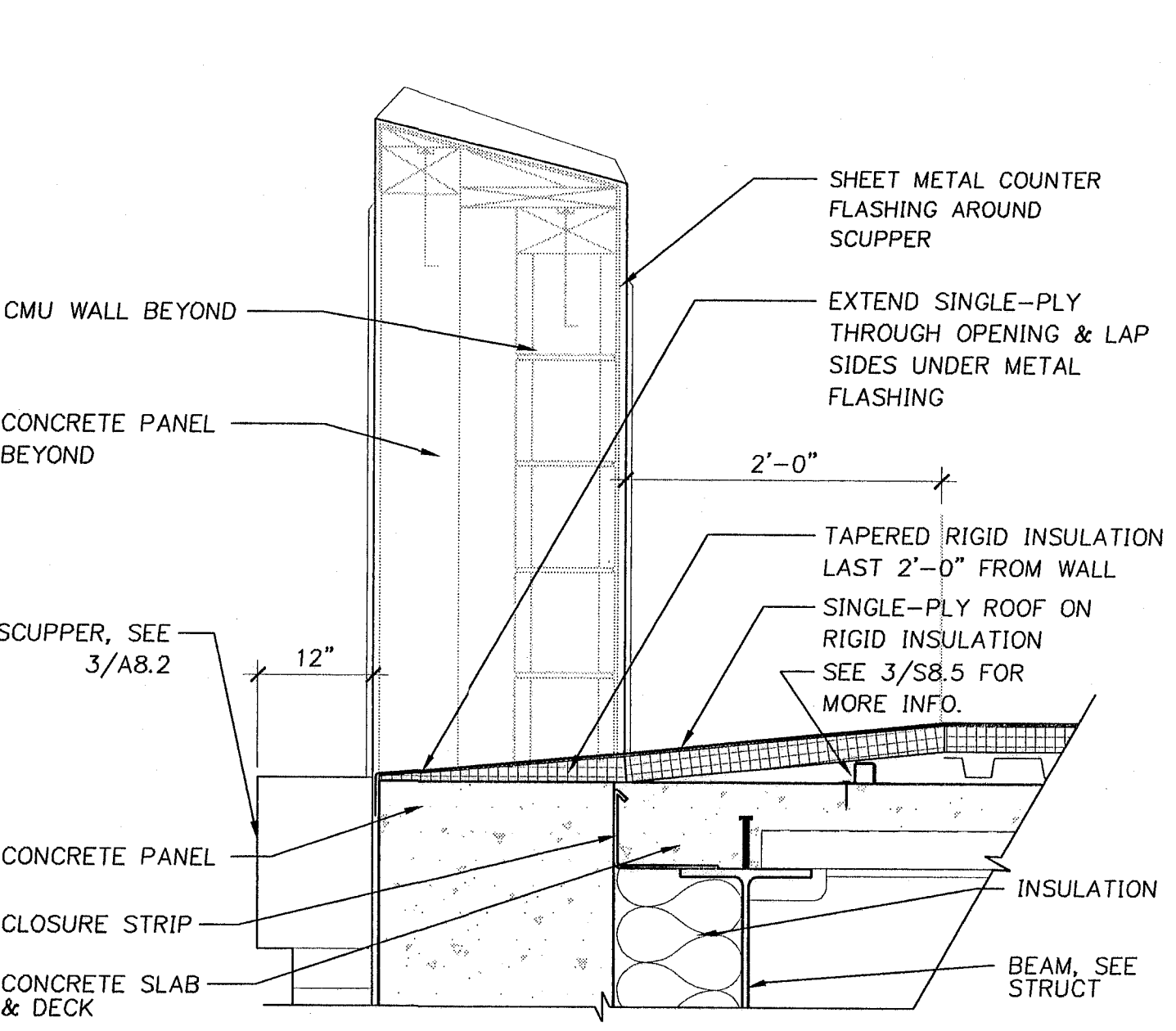
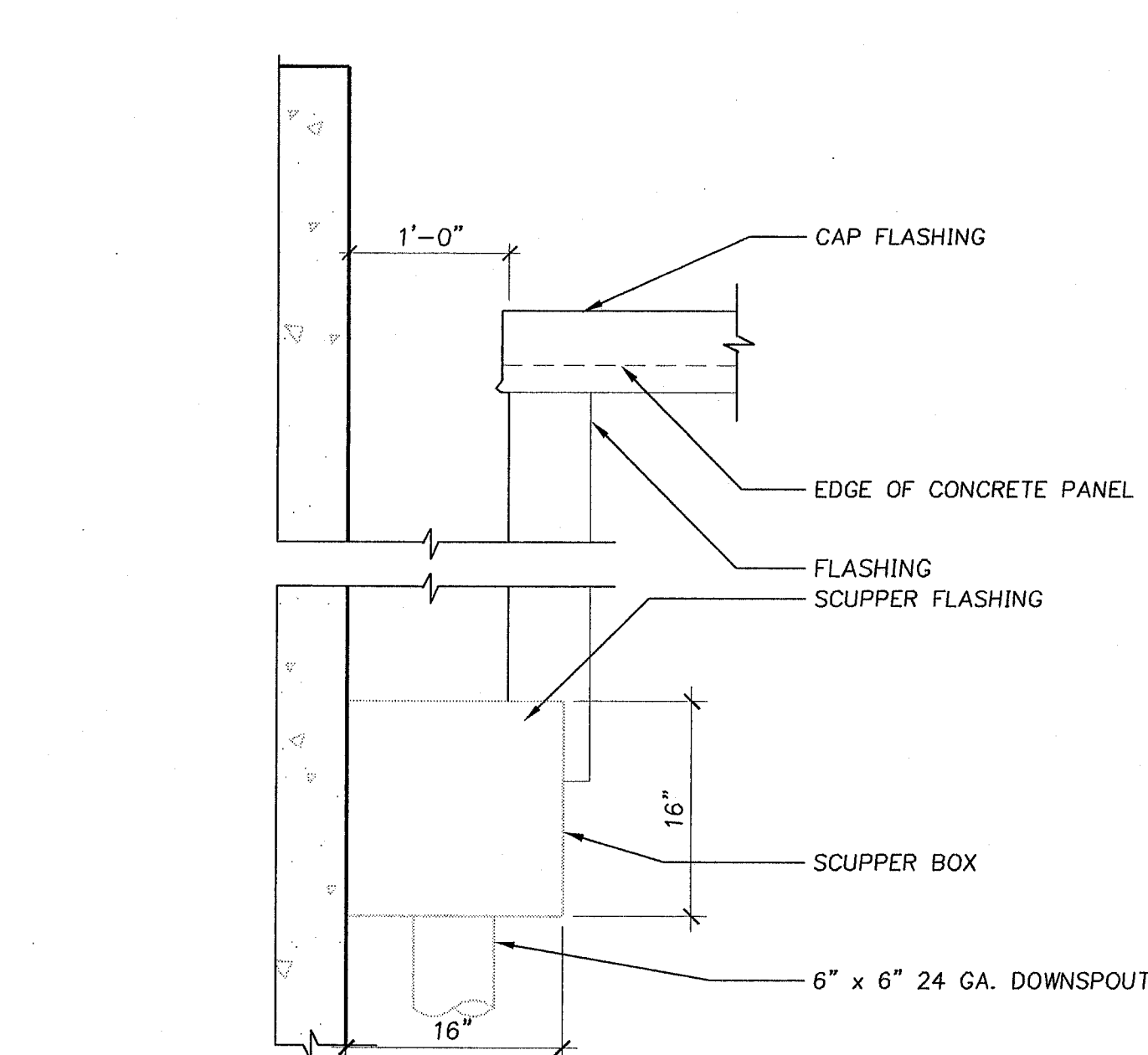


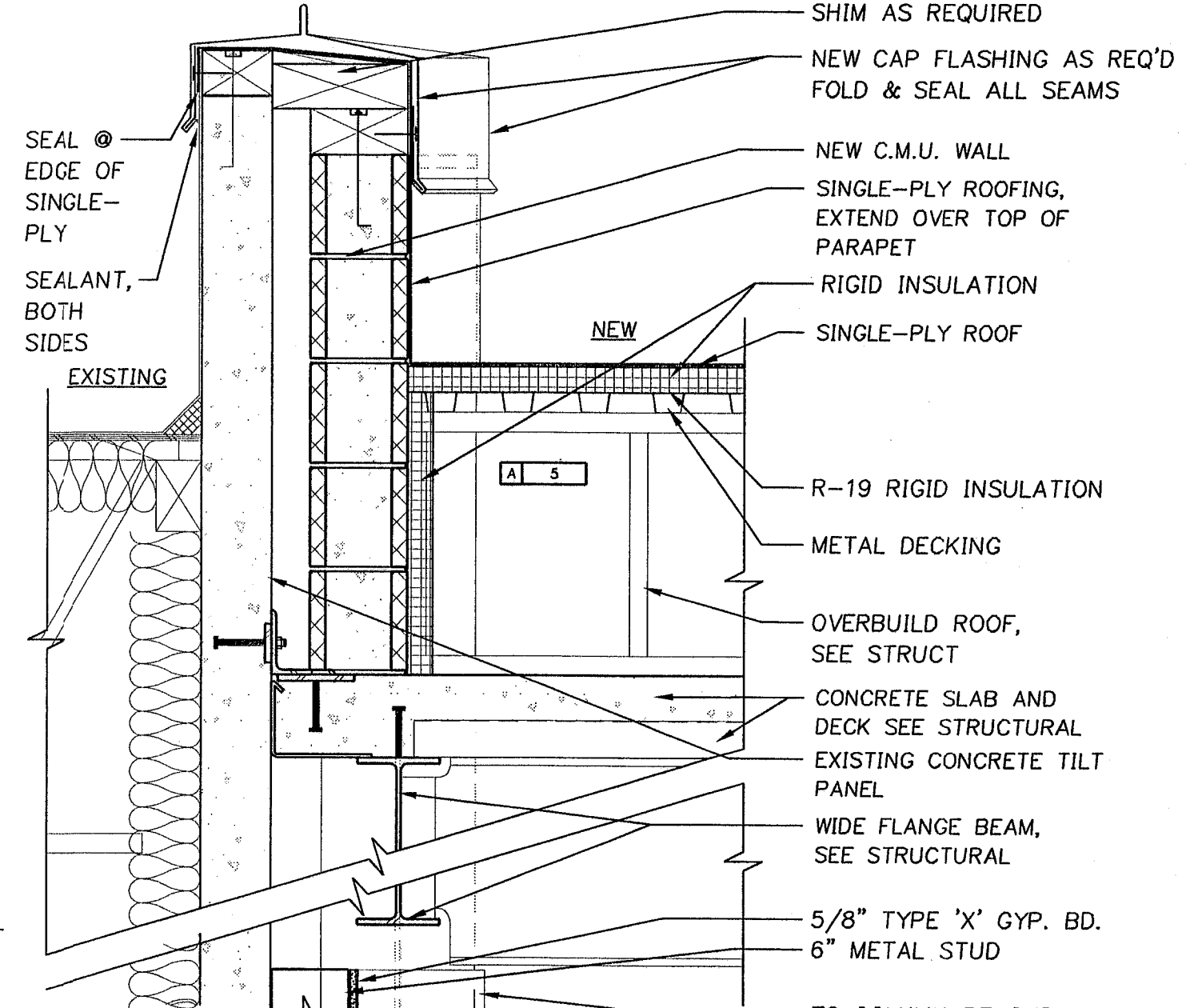
1 PARAPET WALL
A8.2



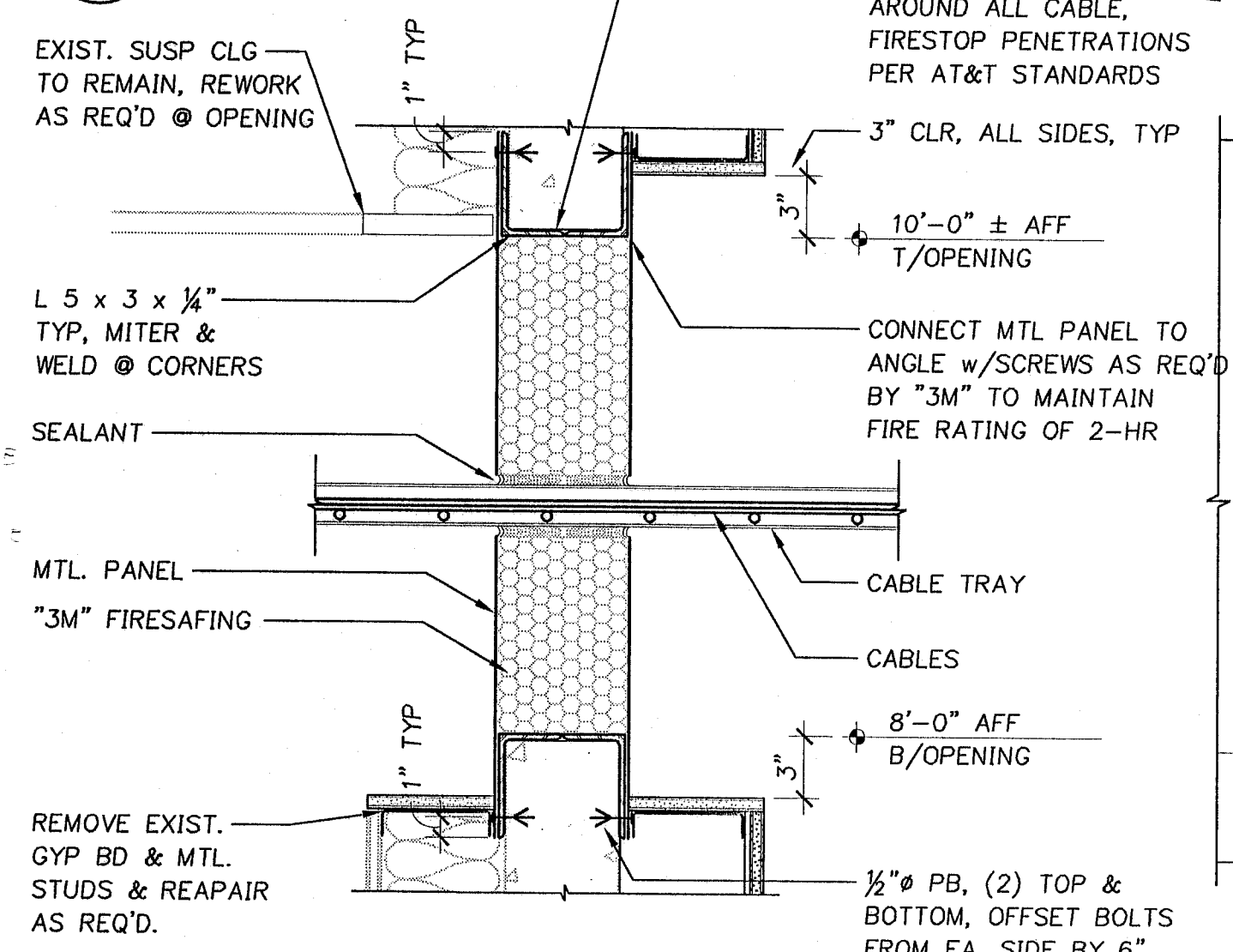
2 SCUPPER SECTION
A8.2



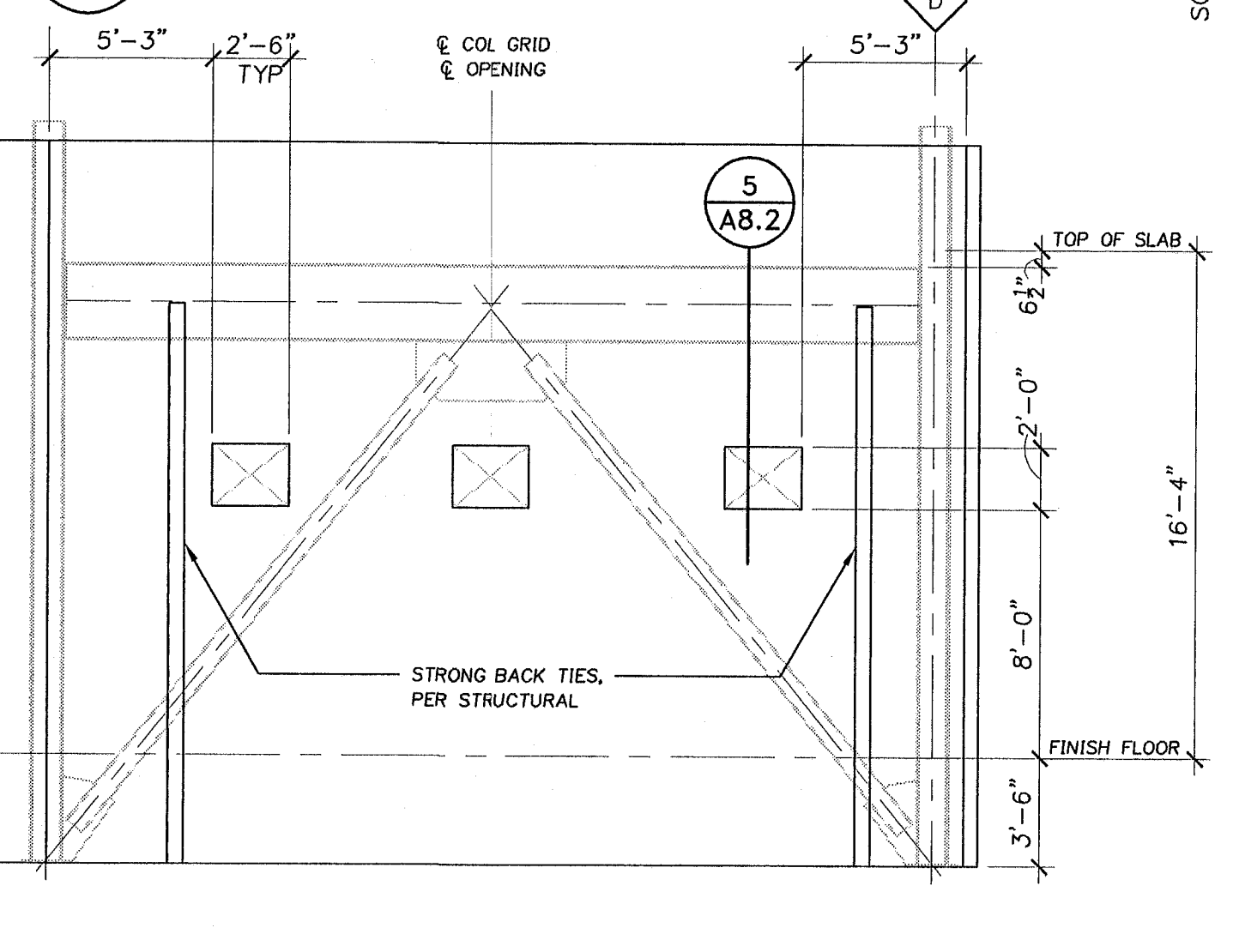
3 SCUPPER ELEVATION
A8.2



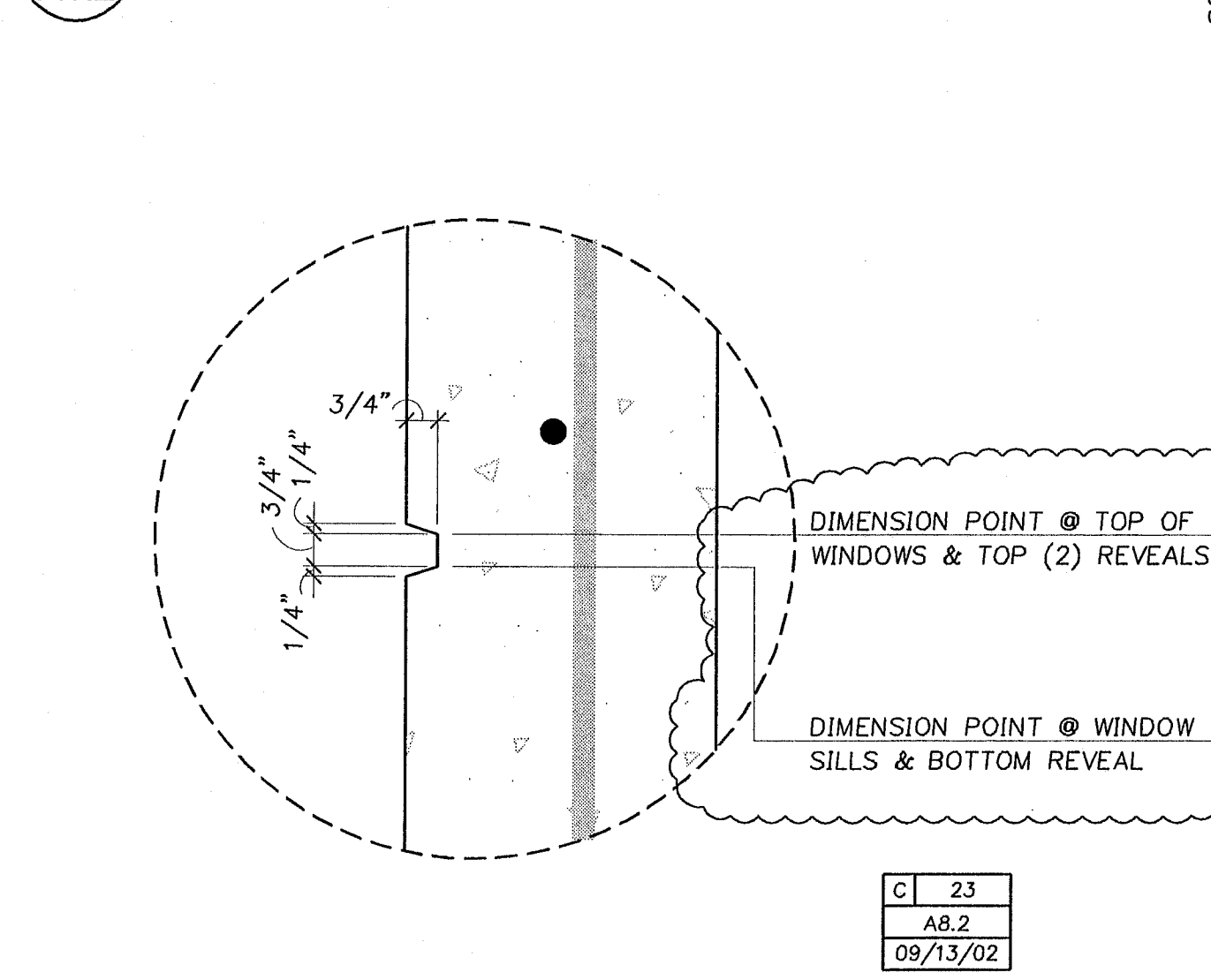
4 PARAPET AT EXISTING WALL
A8.2



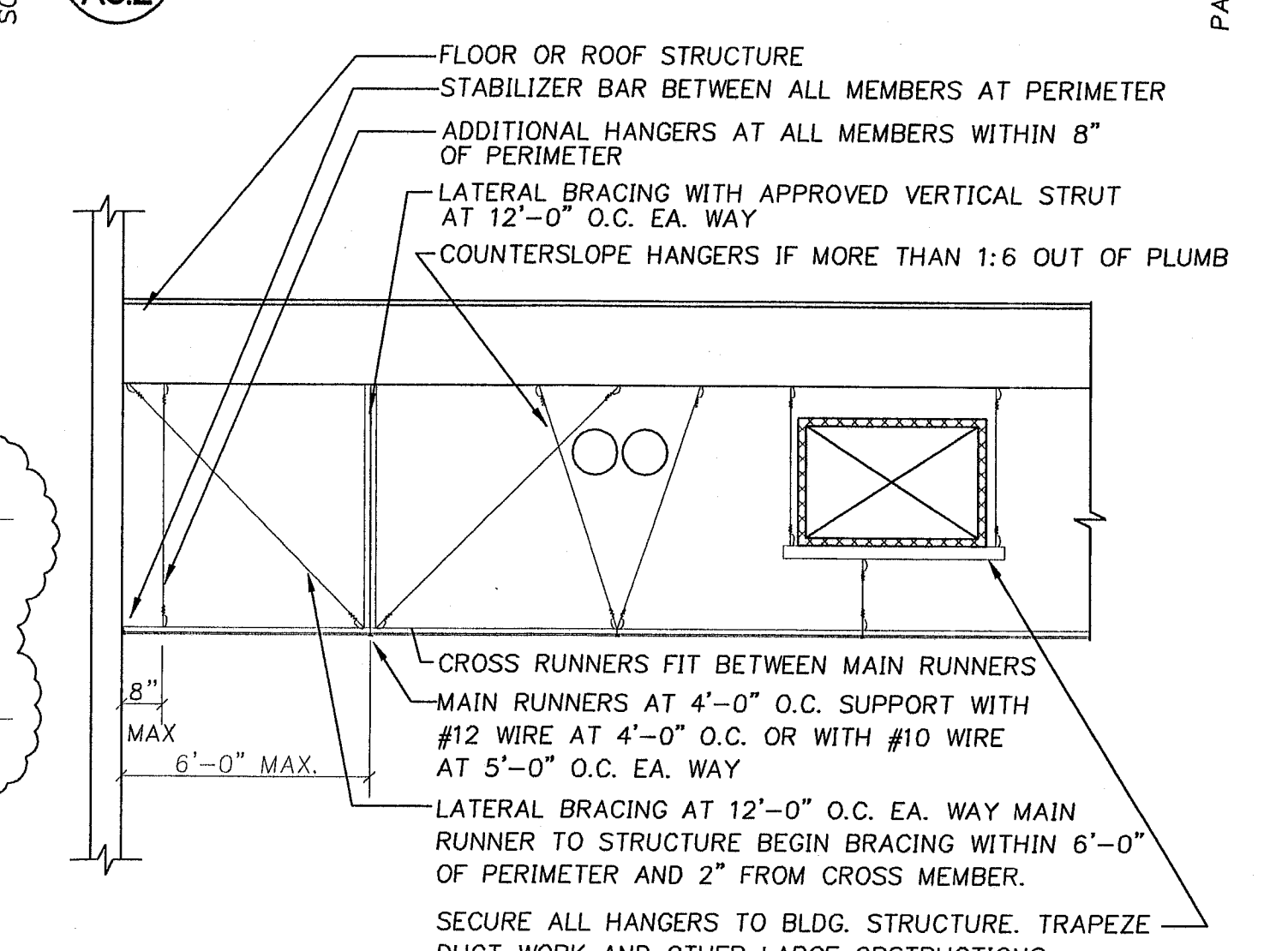
5 CABLE TRAY PENETRATION
A8.2



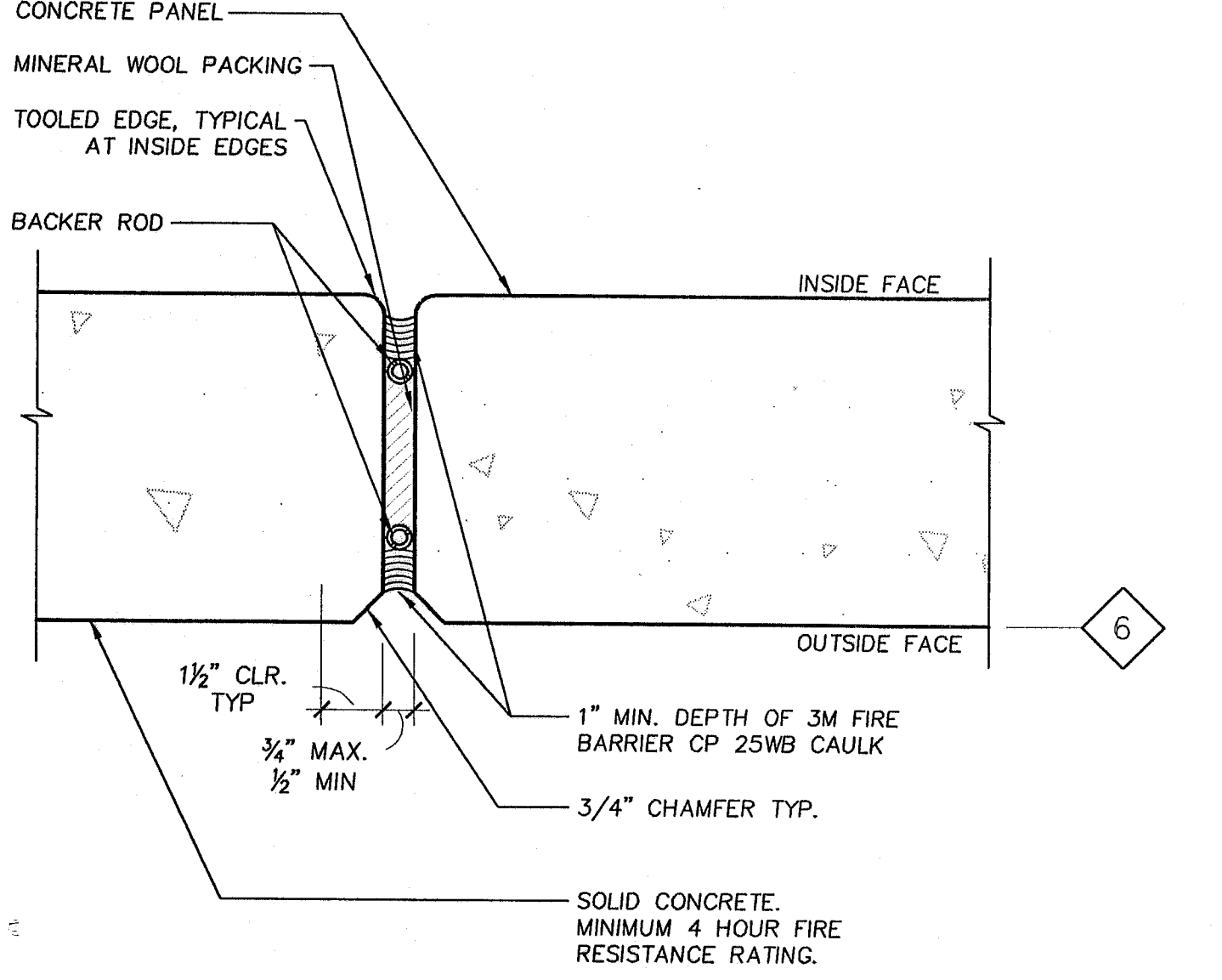
6 EXISTING WALL ELEVATION
A8.2



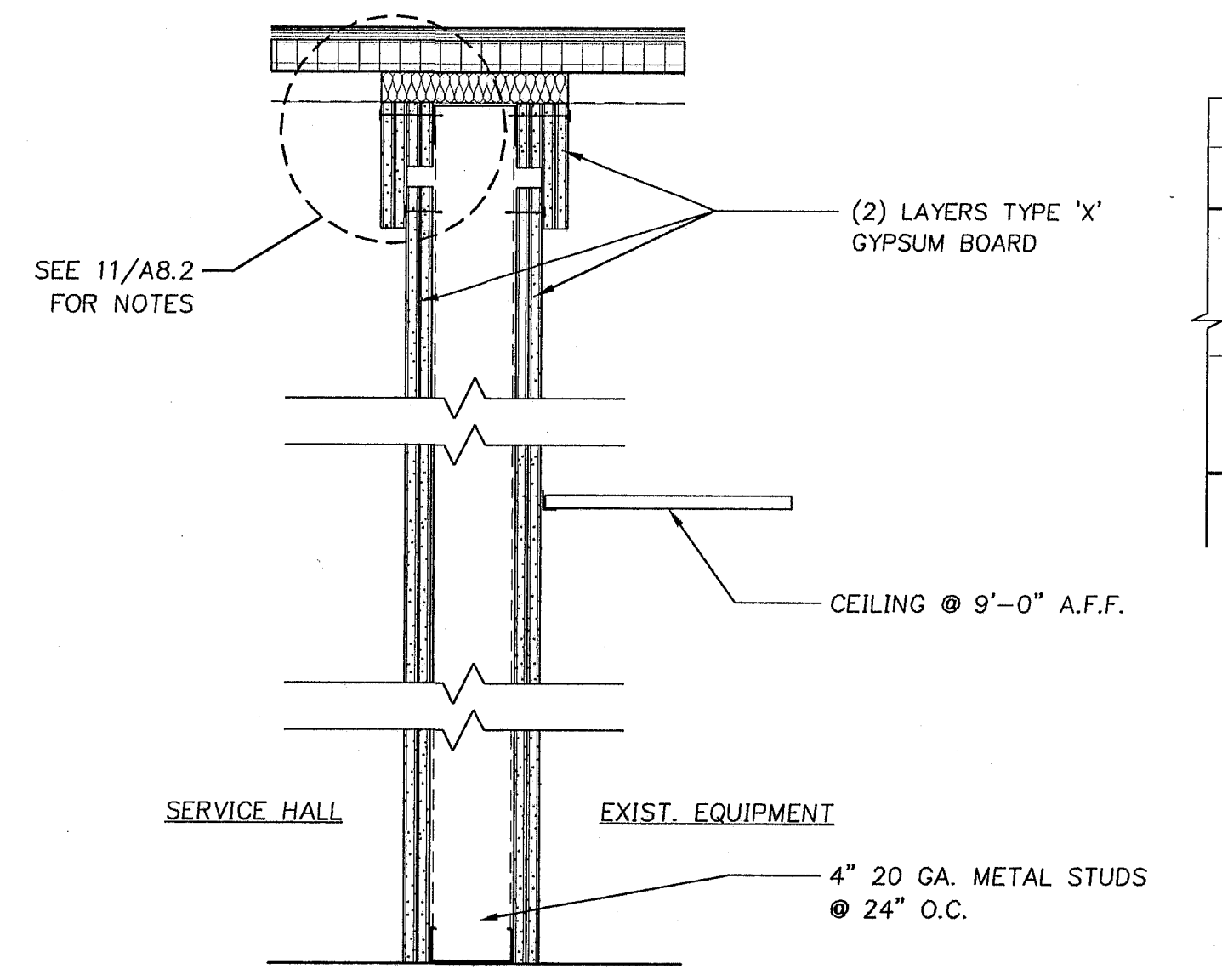
7 REVEALS
A8.2



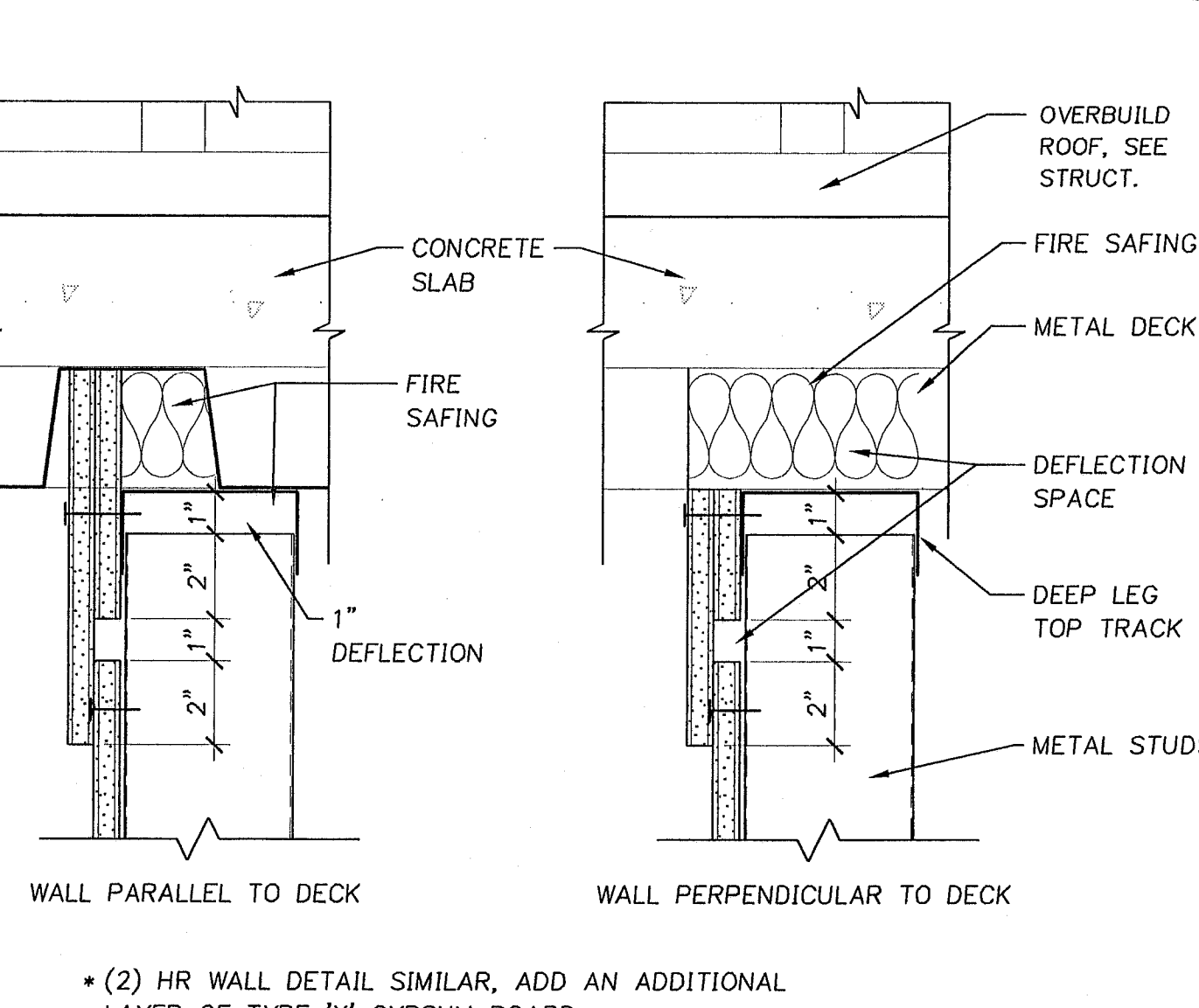
8 SUSPENDED CEILING BRACING
A8.2



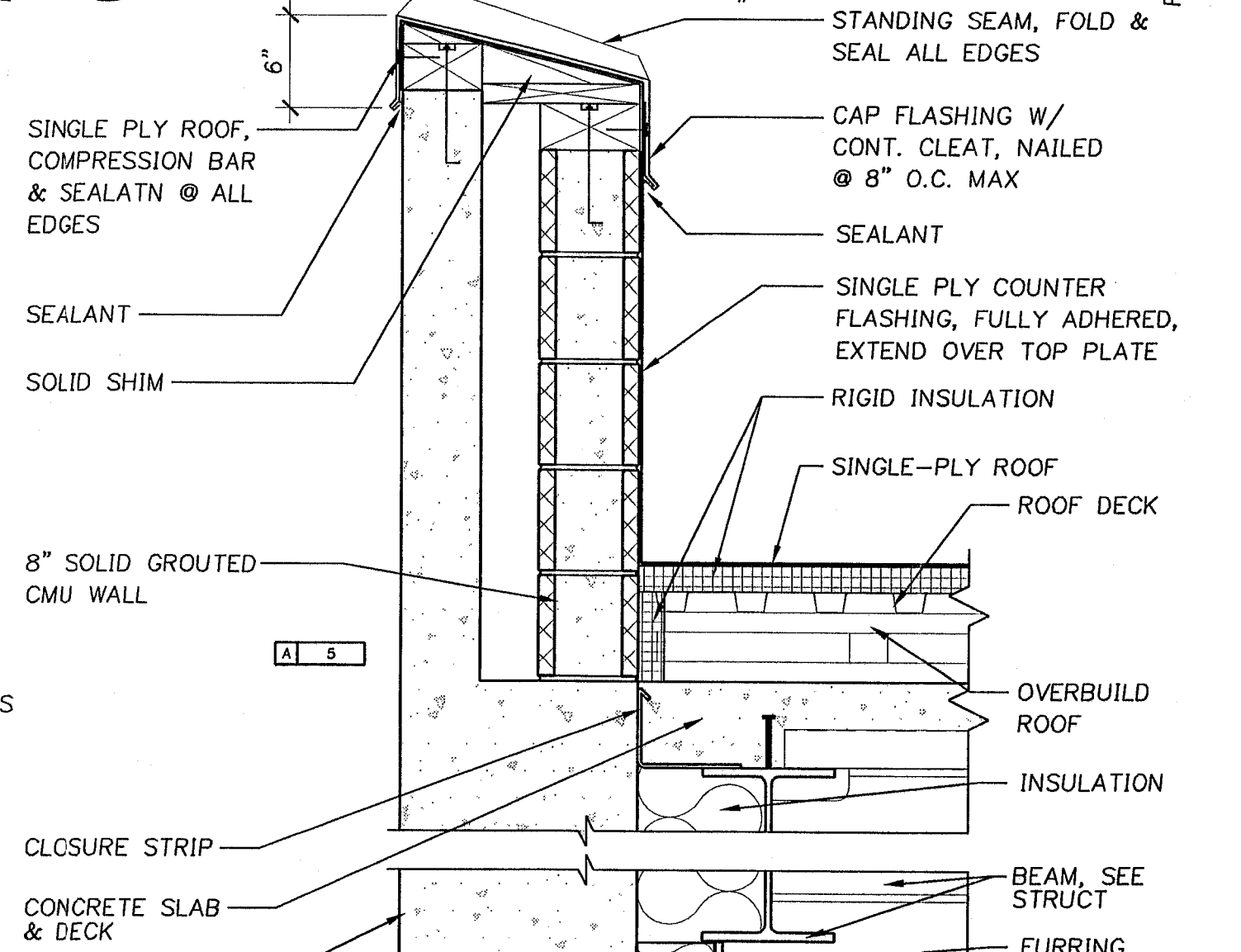
9 PANEL JOINT
A8.2



10 2 HOUR RATED WALL
A8.2



11 FIRE WALL AT TOP TRACK
A8.2



12 PARAPET WALL
A8.2

GROUP MACKENZIE
Architecture
Interior Design
Land Use Planning
Civil Engineering
Structural Engineering
Transportation Planning
Portland, OR 97201-0039
Tel: 503.224.9550 / 360.695.7879
Fax: 503.228.1285



Project
BROADBAND FACILITY EXPANSION PHASE 2 AND 3
TROUDALE, OREGON

GROUP MACKENZIE 2002
ALL RIGHTS RESERVED
THESE DRAWINGS ARE THE PROPERTY OF GROUP MACKENZIE AND ARE NOT TO BE USED OR REPRODUCED IN ANY MANNER, WITHOUT PRIOR WRITTEN PERMISSION

REVISIONS:

REVISION	LAST REVISION THIS SHEET	REVISION	EDITION CLOSING DATE
A	5	07/30/2002	
B	NONE	08/12/2002	
C	23	09/13/2002	

SHEET TITLE:
DETAILS

FIRST ISSUED: 6/18/02
LAST ISSUED: 09/13/02
DRAWN BY: ERA, RTK

CHECKED BY: DRW
SHEET:

A8.2
JOB NO. **990276.01**

INCLUDING REVISION C
ISSUED FOR BID 7/3/02