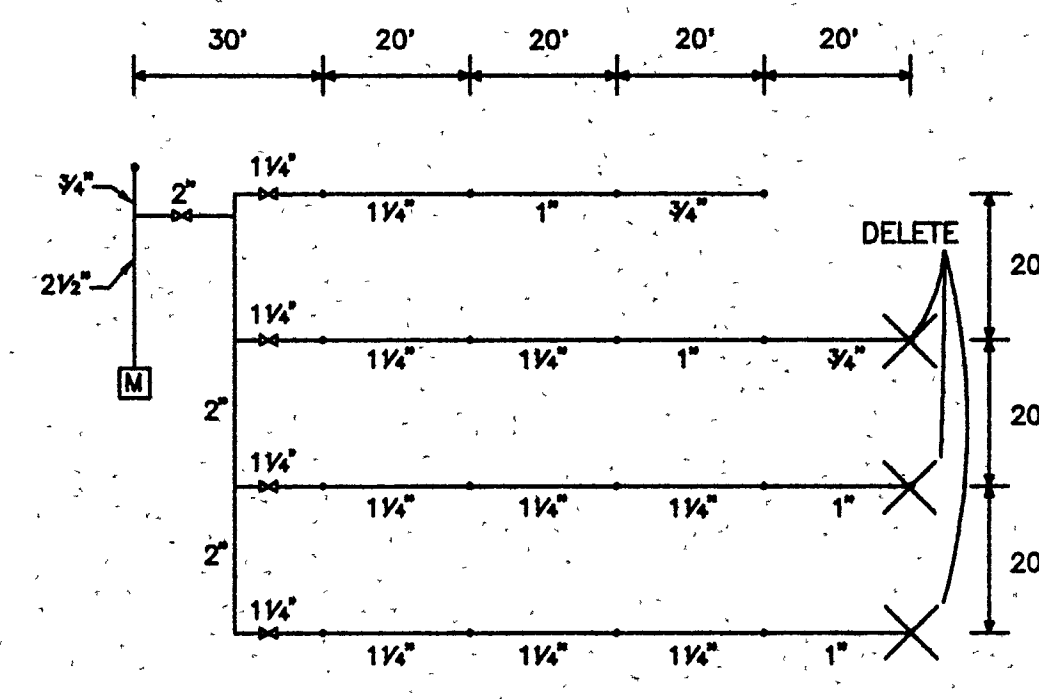
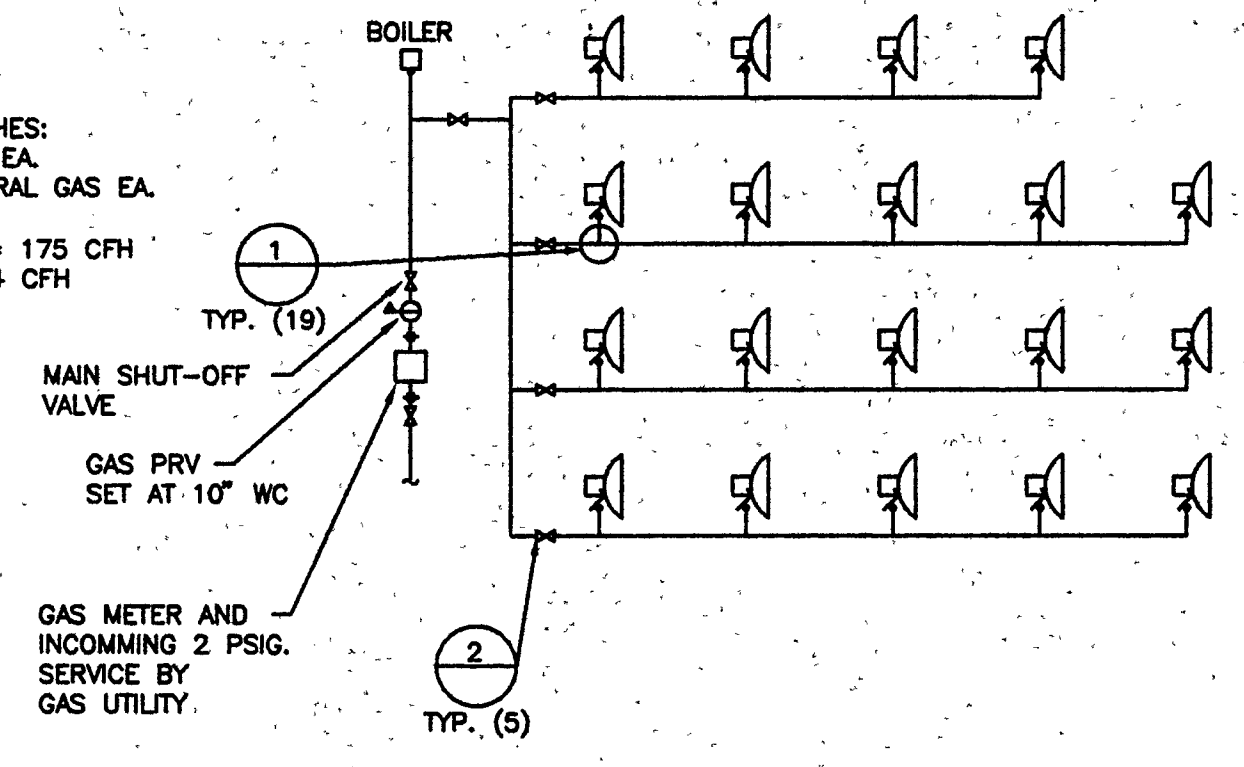
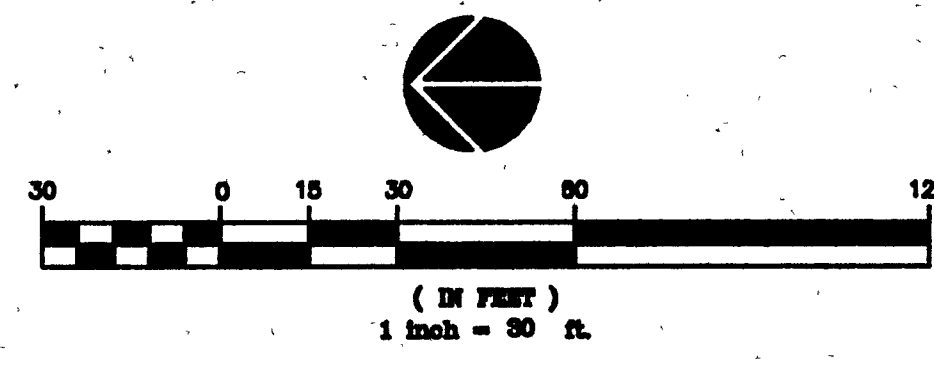


- 1. SATELLITE DISHES:
80,000 BTUH EA
91 CFH NATURAL GAS EA.
= 1728 CFH
- 2. GAS BOILER = 175 CFH
- 3. TOTAL = 1904 CFH



NOTE: LINEAL DISTANCES ARE APPROXIMATE AND SHALL BE ADJUSTED PER ACTUAL FIELD INSTALLATION.

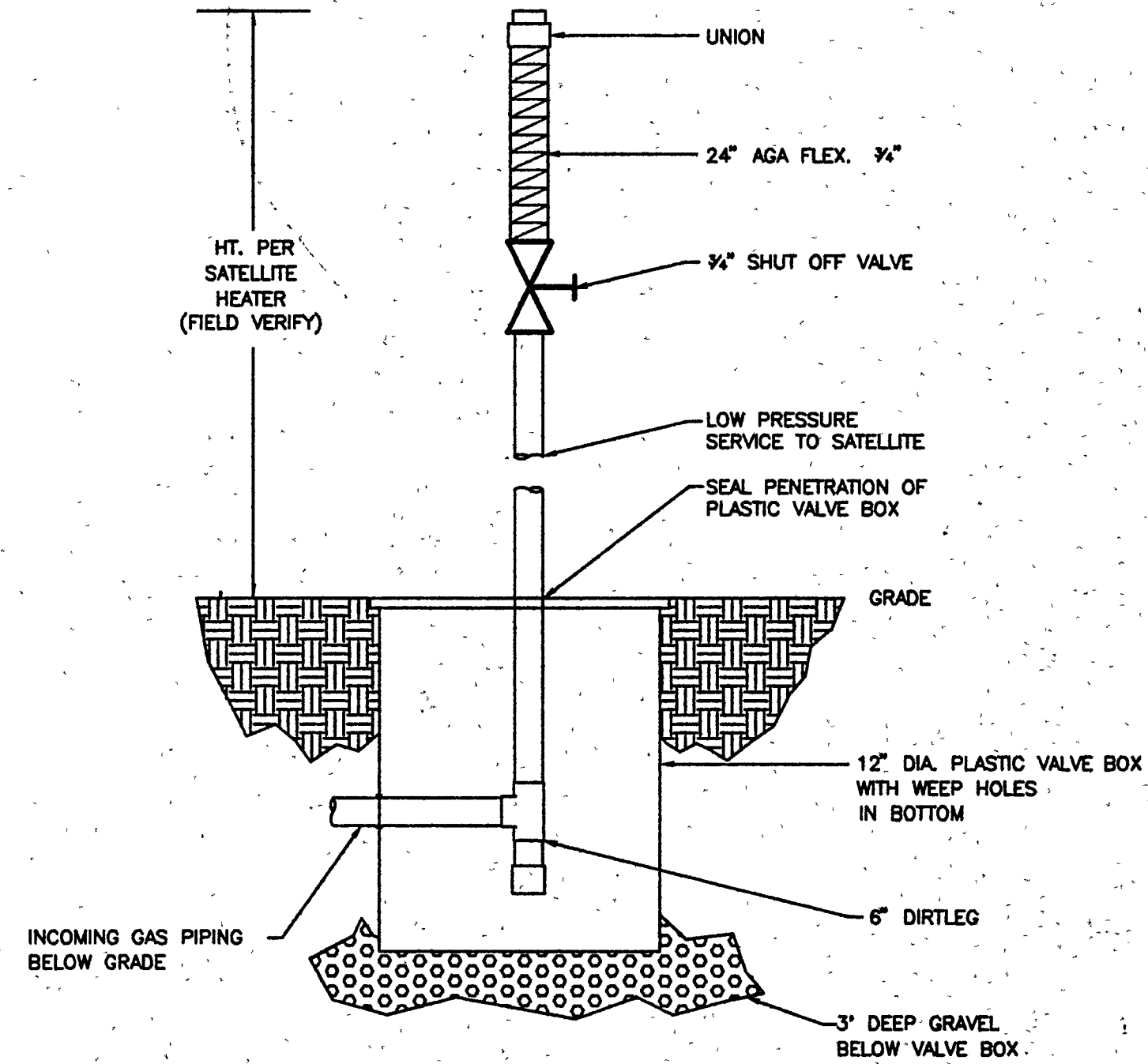
NATURAL GAS PIPING SCHEMATIC
NOT TO SCALE



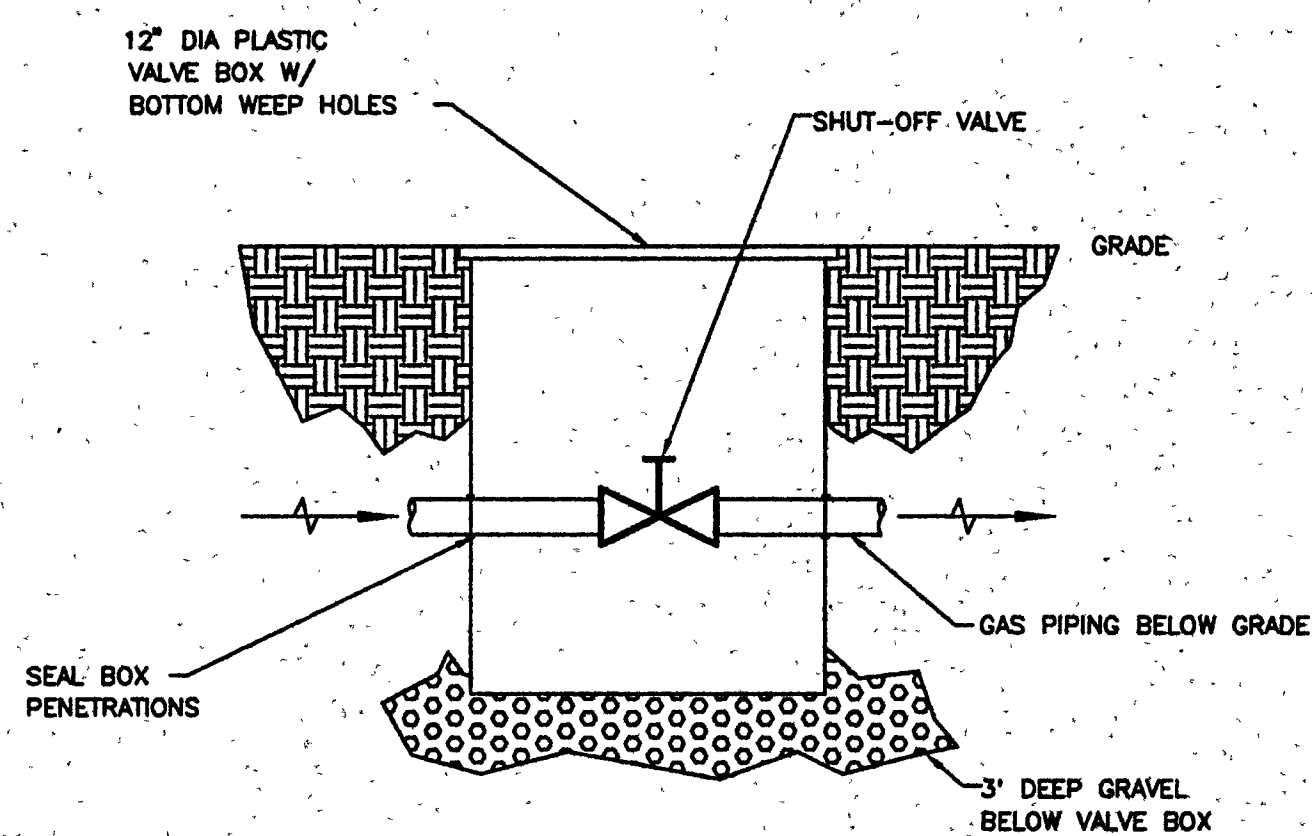
SITE PLAN - NATURAL GAS PIPING
SCALE: 1" = 30'

FLAG NOTES:
 ▽ INCOMING 2 PSIG. GAS PIPING SERVICE UPSTREAM OF GAS METER AND GAS METER BY GAS UTILITY. COORDINATE EXACT METER LOCATION WITH UTILITY PRIOR TO CONSTRUCTION FOR METER LOCATION AND SITE PIPING INSTALLATION.

SURVEY NOTE:
 THE SURVEY INFORMATION AS A BACKGROUND SCREEN ON THIS SHEET IS BASED ON A SURVEY PREPARED BY ALL COUNTY SURVEYORS AND PLANNERS, INC. DATED 11/6/96.



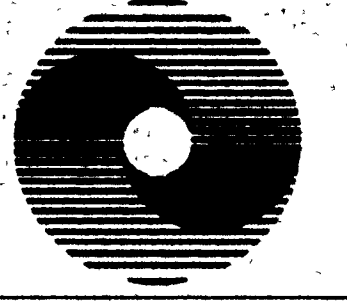
1 SATELLITE CONN.-TYPICAL
NOT TO SCALE



2 BRANCH SHUT-OFF-TYPICAL
NOT TO SCALE

AS-BUILT

GROUP MACKENZIE
 Architecture
 Interior Design
 Land Use Planning
 Civil Engineering
 Structural Engineering
 Transportation Planning



Project
A COMMUNICATIONS FACILITY FOR PARAGON CABLE
 Troutdale, Oregon

MM
 MacDonald Miller
 Company, Inc.
 1240 SE 12th Avenue
 Portland, OR 97214
 Phone: (503) 230-8891
 Fax: (503) 736-0597

REVISIONS:

NO.	REVISION	EDITION	CLOSING DATE
1	BLDG PERMIT	4/17/97	
2	AS-BUILT	11/3/97	

SHEET TITLE:
SITE PLAN-NATURAL GAS PIPING

DATE: 11/03/97
 DRAWN BY: R. SMITH
 CHECKED BY: I. SIMKIN

SHEET
P2.02

JOB NO. **MM85209**

Drawing name: C:\mim\p02\Paragon\p202.dwg, Date: 11/21/97, 10:21:37 User: name, Testung annotation.